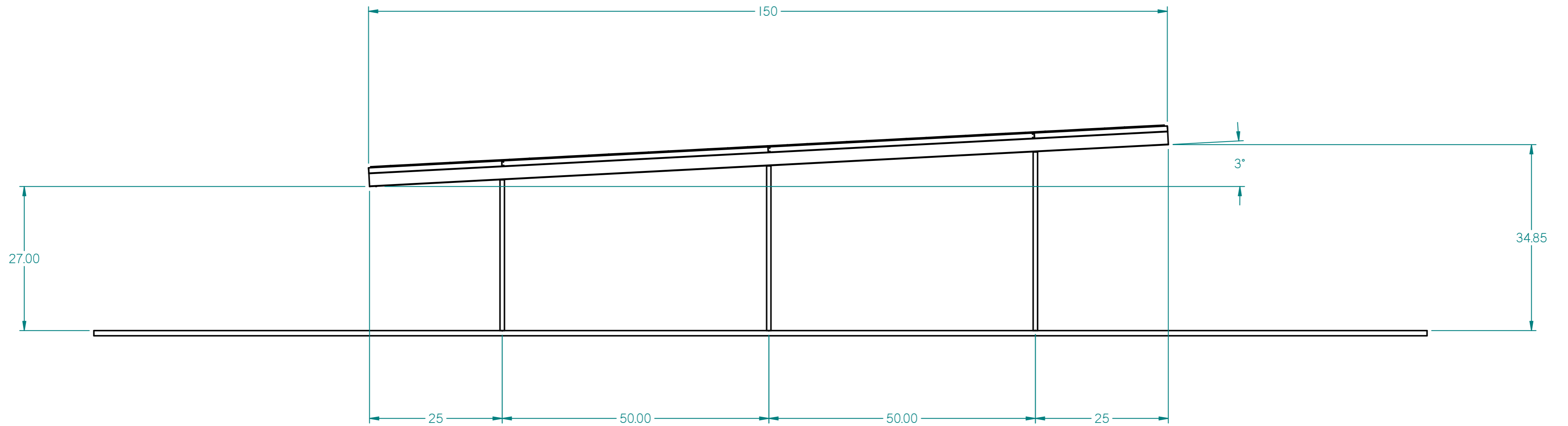



REVISION HISTORY			
REV	DESCRIPTION	DATE	APPROVED

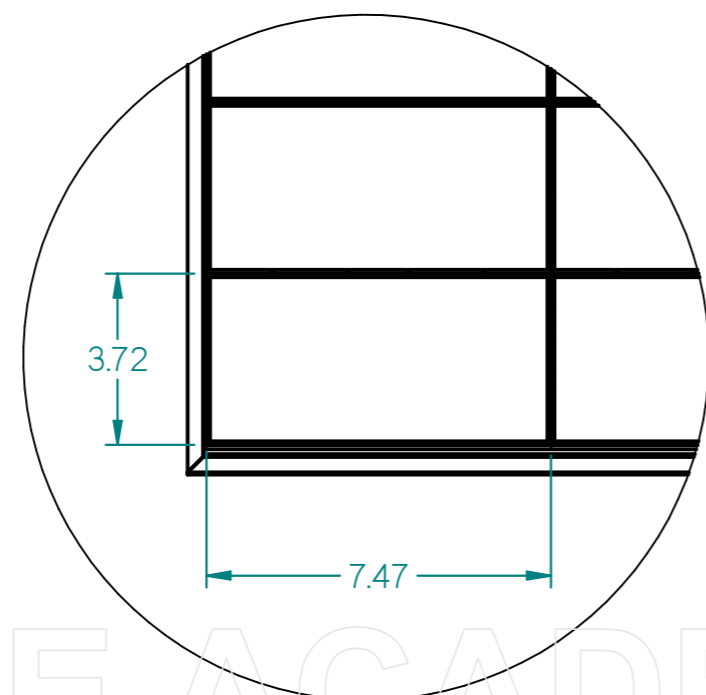
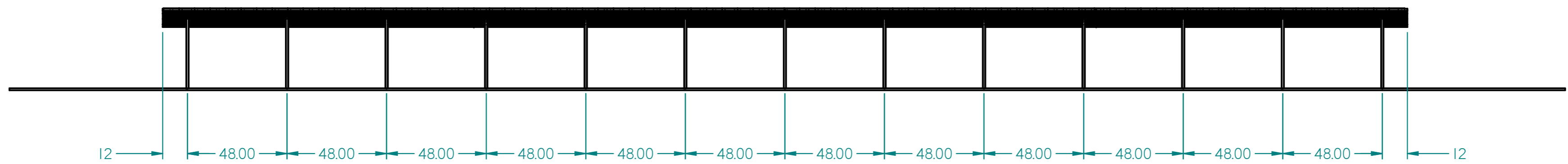
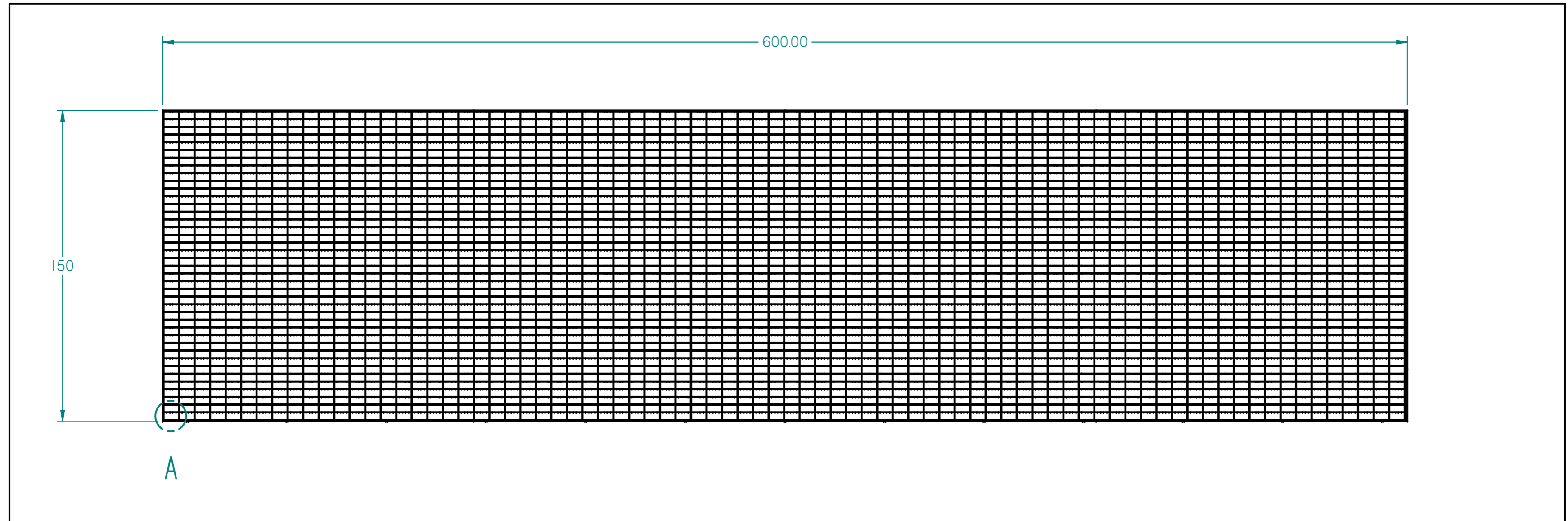


SOLID EDGE ACADEMIC COPY

	NAME	DATE	
DRAWN	Nico	04/05/23	
CHECKED			
ENG APPR			
MGR APPR			
			TITLE
			Blue Print Robotics
			SIZE DWG NO REV
			A2 Blue Print Robotics 0
			FILE NAME: Blue Print Robotics.dft
			SCALE: WEIGHT: SHEET 1 OF 6


UNLESS OTHERWISE SPECIFIED
DIMENSIONS ARE IN FOOT

REVISION HISTORY			
REV	DESCRIPTION	DATE	APPROVED

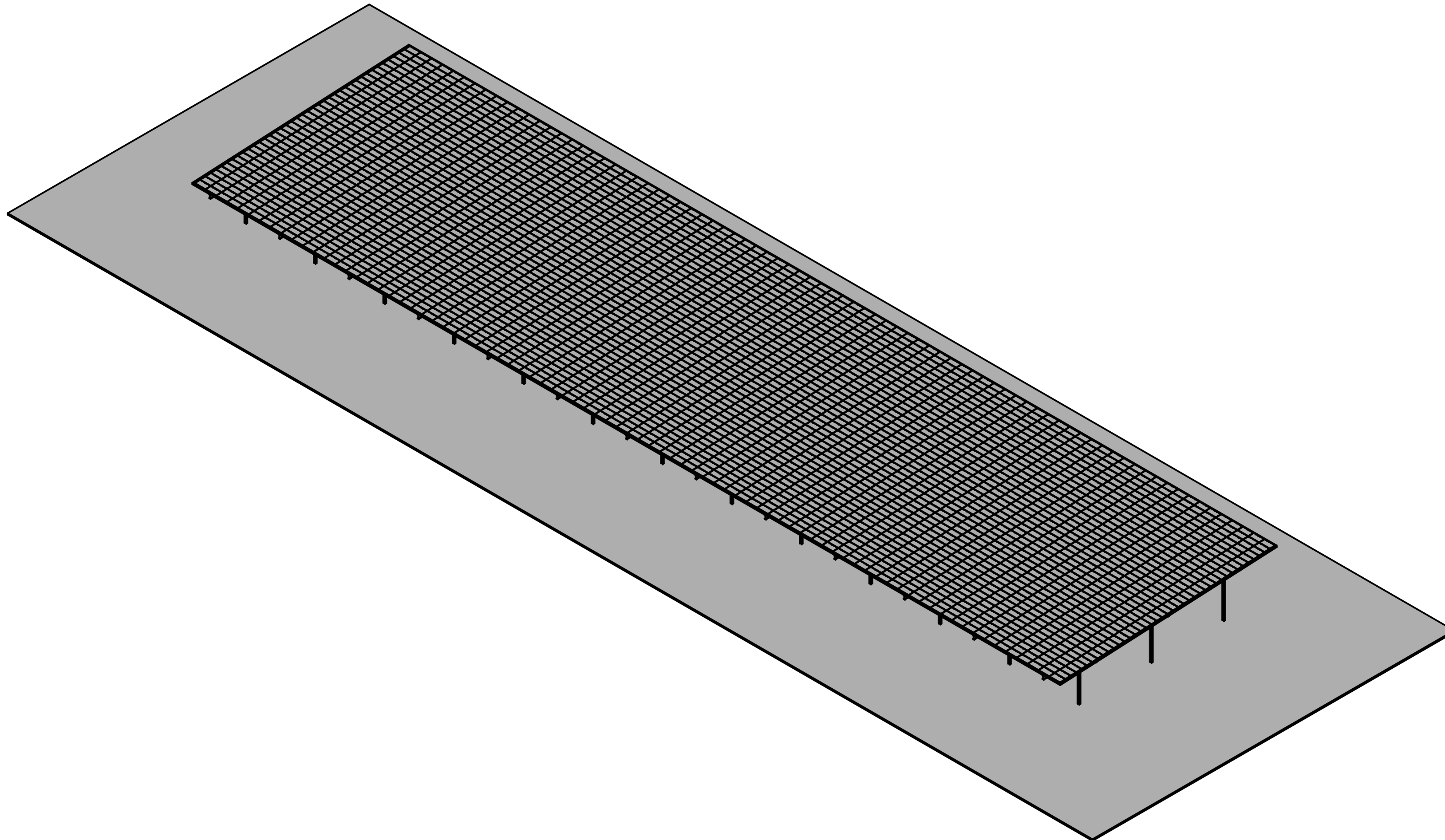


DETAIL A


SOLID EDGE ACADEMIC COPY

	NAME	DATE	
DRAWN	Nico	04/05/23	
CHECKED			
ENG APPR			
MGR APPR			
			TITLE
			Blue Print Robotics
UNLESS OTHERWISE SPECIFIED DIMENSIONS ARE IN FOOT			SIZE A2 DWG NO Blue Print Robotics REV 0 FILE NAME: Blue Print Robotics.dft SCALE: WEIGHT: SHEET 2 OF 6

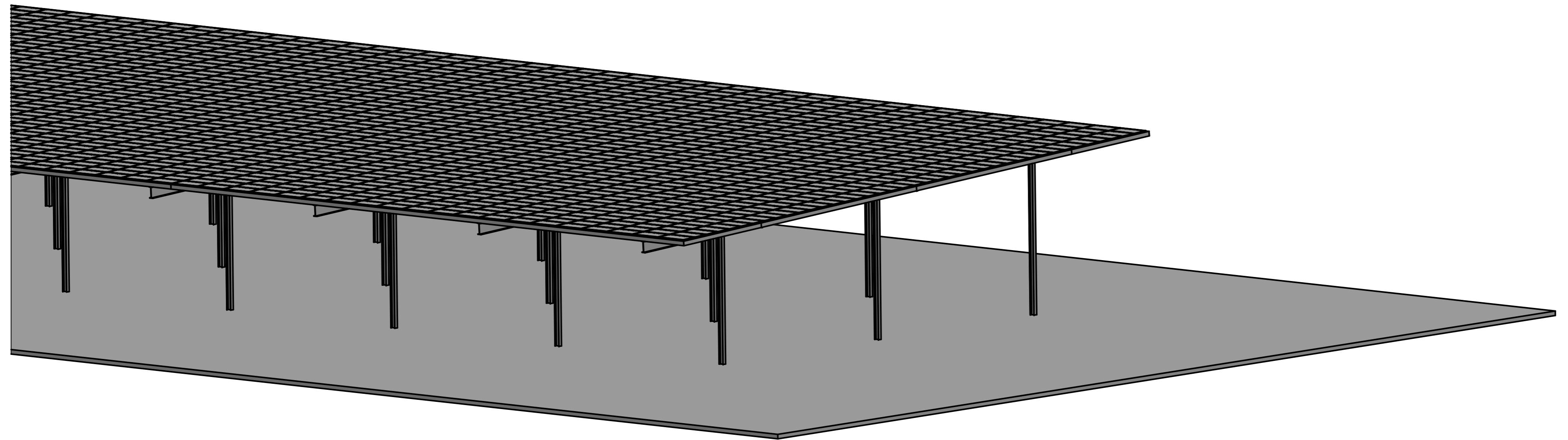
REVISION HISTORY			
REV	DESCRIPTION	DATE	APPROVED




SOLID EDGE ACADEMIC COPY

	NAME	DATE		
DRAWN	Nico	04/05/23	TITLE Blue Print Robotics	
CHECKED			SIZE	DWG NO
ENG APPR			A2	Blue Print Robotics
MGR APPR			SCALE:	WEIGHT:
UNLESS OTHERWISE SPECIFIED DIMENSIONS ARE IN FOOT			FILE NAME: Blue Print Robotics.dft	REV 0
				SHEET 3 OF 6

REVISION HISTORY			
REV	DESCRIPTION	DATE	APPROVED

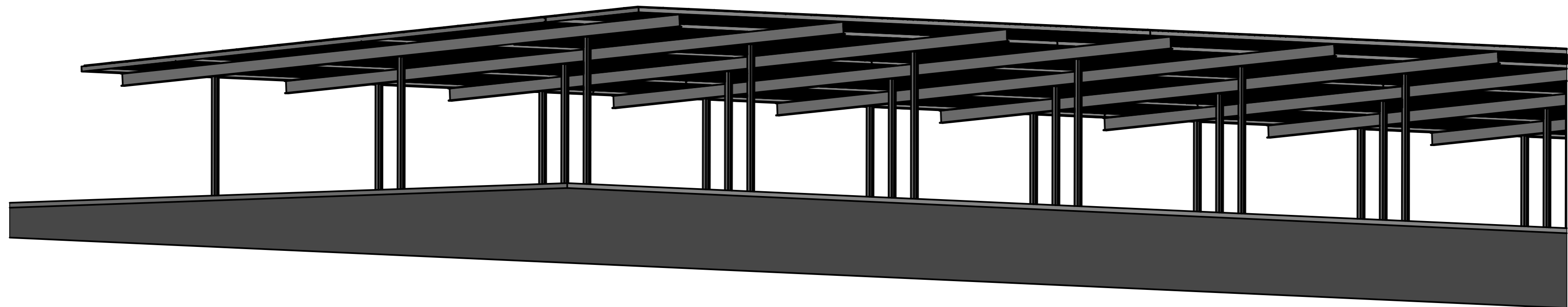


SOLID EDGE ACADEMIC COPY


	NAME	DATE		
DRAWN	Nico	04/05/23	TITLE Blue Print Robotics	
CHECKED			SIZE	DWG NO
ENG APPR			A2	Blue Print Robotics
MGR APPR			FILE NAME:	Blue Print Robotics.dft
UNLESS OTHERWISE SPECIFIED DIMENSIONS ARE IN FOOT			SCALE:	WEIGHT:
				SHEET 4 OF 6

REV 0

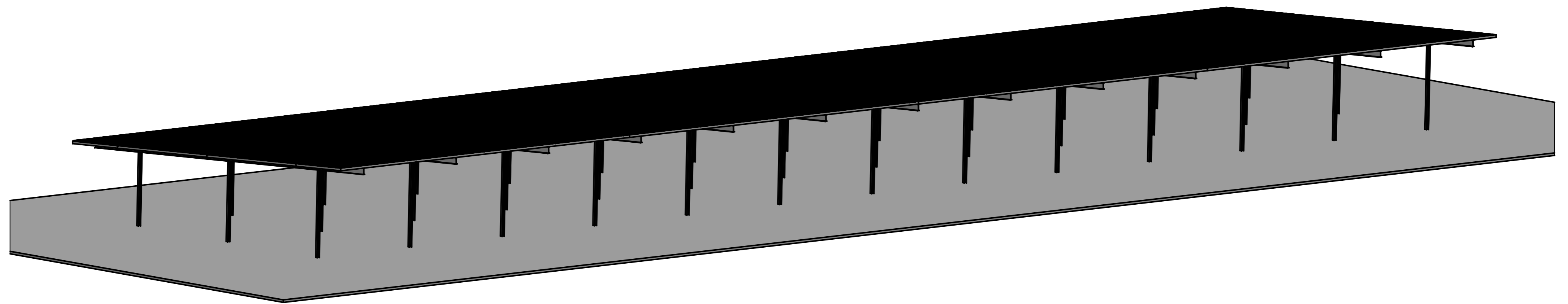
REVISION HISTORY			
REV	DESCRIPTION	DATE	APPROVED




SOLID EDGE ACADEMIC COPY

	NAME	DATE		
DRAWN	Nico	04/05/23	TITLE Blue Print Robotics	
CHECKED			SIZE	DWG NO
ENG APPR			A2	Blue Print Robotics
MGR APPR			SCALE:	WEIGHT:
UNLESS OTHERWISE SPECIFIED DIMENSIONS ARE IN FOOT			FILE NAME: Blue Print Robotics.dft	REV 0
				SHEET 5 OF 6

REVISION HISTORY			
REV	DESCRIPTION	DATE	APPROVED



SOLID EDGE ACADEMIC COPY

	NAME	DATE		
DRAWN	Nico	04/05/23		
CHECKED				
ENG APPR				
MGR APPR				
TITLE			Blue Print Robotics	
UNLESS OTHERWISE SPECIFIED DIMENSIONS ARE IN FOOT			SIZE A2	DWG NO Blue Print Robotics
			FILE NAME: Blue Print Robotics.dft	REV 0
			SCALE:	WEIGHT: SHEET 6 OF 6