

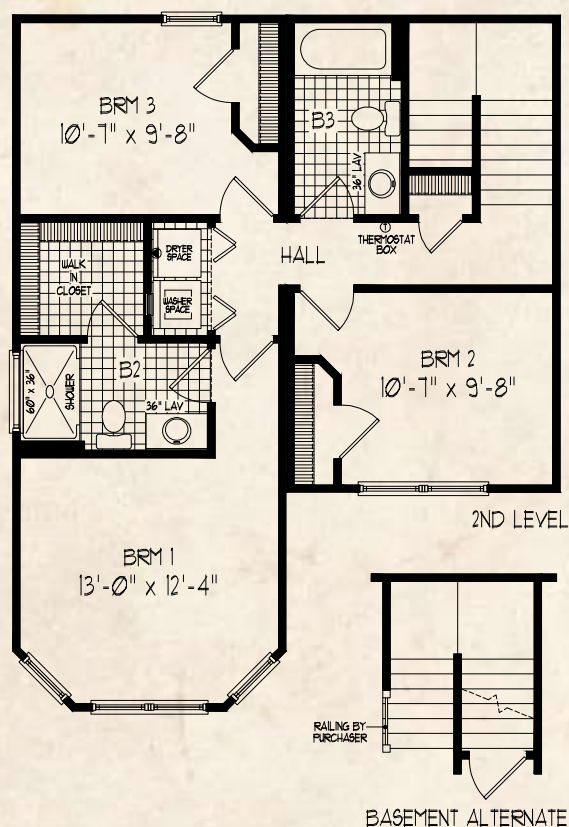
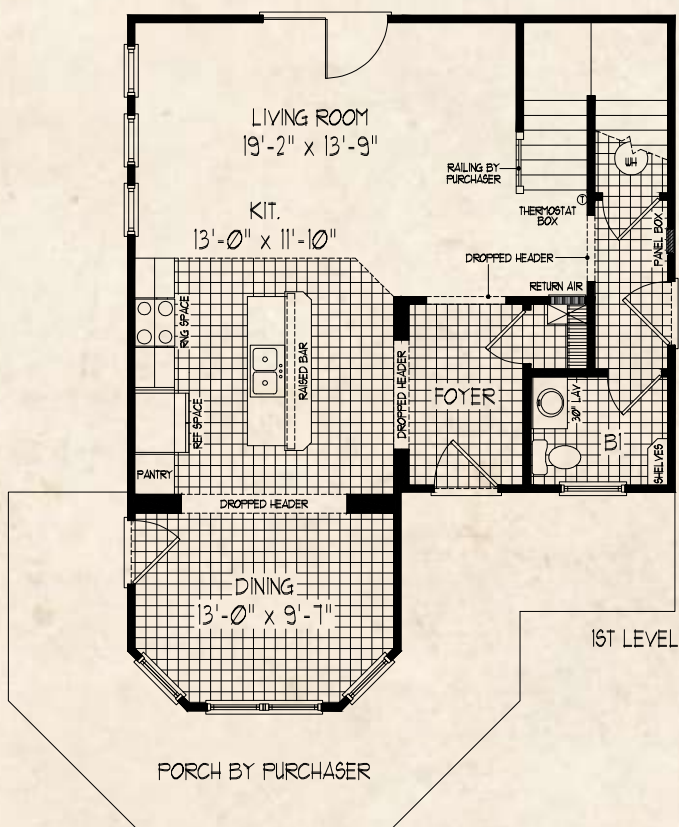
Home Plan

Built for The Southern Lifestyle

Anna



Total Living Area: 1,606 sq. ft.



CUSTOMER
CUSTOMER
PTL#
PTL#
STATE
STATE



FRONT ELEVATION

GARAGE AND PORCH BY PURCHASER

BUILDER

THE ANNA

EXCEL HOMES OF VIRGINIA LLC.
260 WEAVER STREET ROCKY MOUNT VA, 24151

DATE
5-19-14
DRAWN BY
ROBBIE
CHECKED BY
CHECKED BY
REVISION DATE
N/A
SCALE
3/16"=1'-0"

SHEET
1

0 1 2 3 4 5
SCALE BAR

CUSTOMER
CUSTOMER
PTL#
PTL#
STATE
STATE



RIGHT SIDE ELEVATION
GARAGE AND PORCH BY PURCHASER

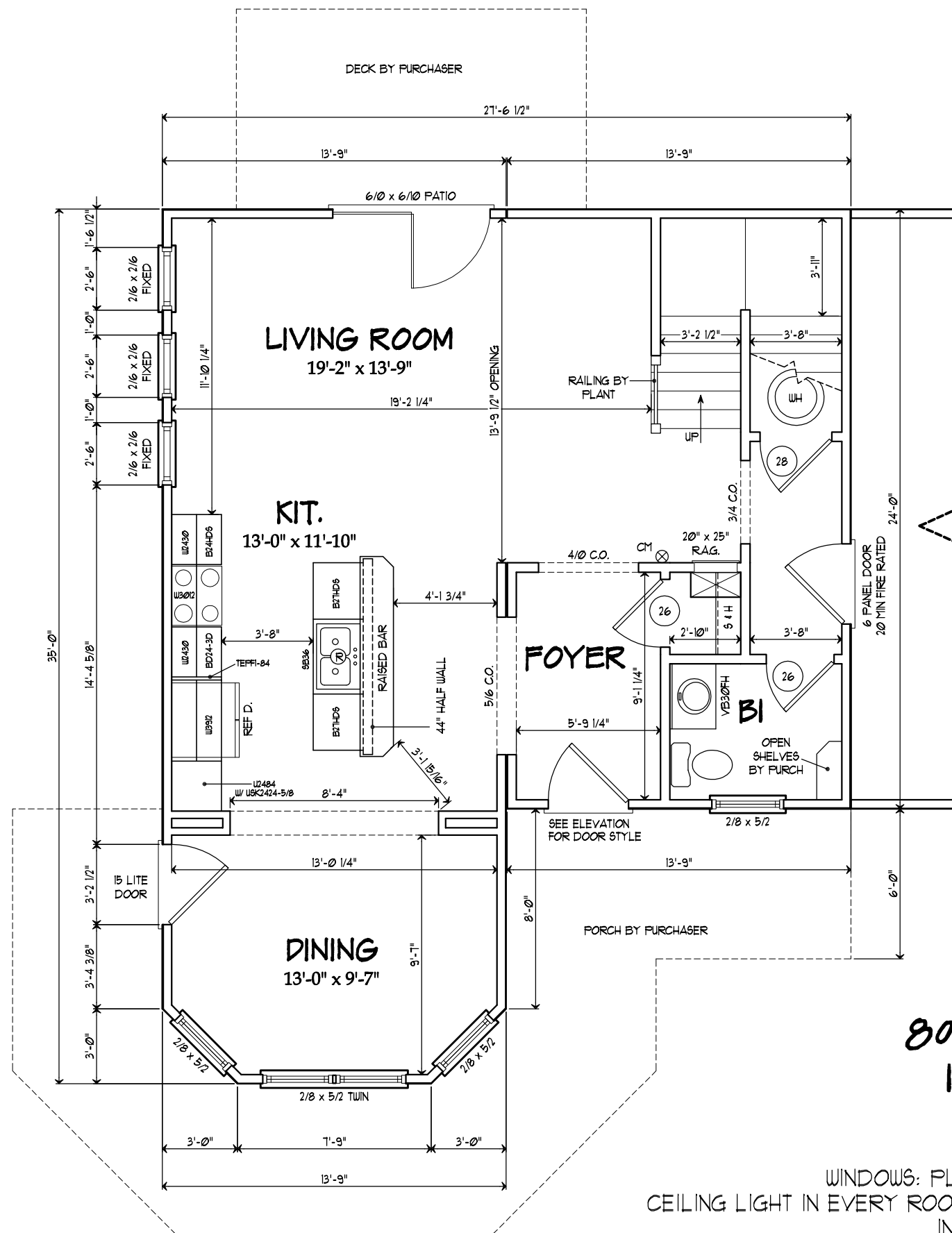
BUILDER
THE ANNA

EXCEL HOMES OF VIRGINIA LLC.
260 WEAVER STREET ROCKY MOUNT VA, 24151

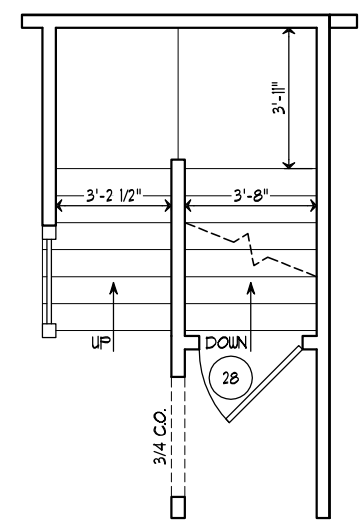
DATE
5-19-14
DRAWN BY
ROBBIE
CHECKED BY
CHECKED BY
REVISION DATE
N/A
SCALE
3/16"=1'-0"



CUSTOMER
CUSTOMER
PTL#
PTL#
STATE
STATE



- ⊗ SMOKE DETECTOR
- ⊗ CM SMOKE DETECTOR / CARBON MONOXIDE COMBO



BASEMENT LAYOUT

**803 SQFT MAIN LEVEL
1624 TOTAL SQFT**

HOUSE NOTES:
WINDOWS: PLYGEM (CLASSIC MODULAR, SINGLE HUNG)
CEILING LIGHT IN EVERY ROOM AND EVERY WALK IN CLOSET (NO SPLIT WIRED RECEPS)
INTERIOR DOORS TO BE 6 PANEL
RECESSED LIGHT OVER KIT. SINK AND STAIRS

BUILDER
THE ANNA
EXCEL HOMES OF VIRGINIA LLC.
260 WEAVER STREET ROCKY MOUNT VA, 24151

DATE
5-19-14
DRAWN BY
ROBBIE
CHECKED BY
CHECKED BY
REVISION DATE
N/A
SCALE
3/16"=1'-0"

