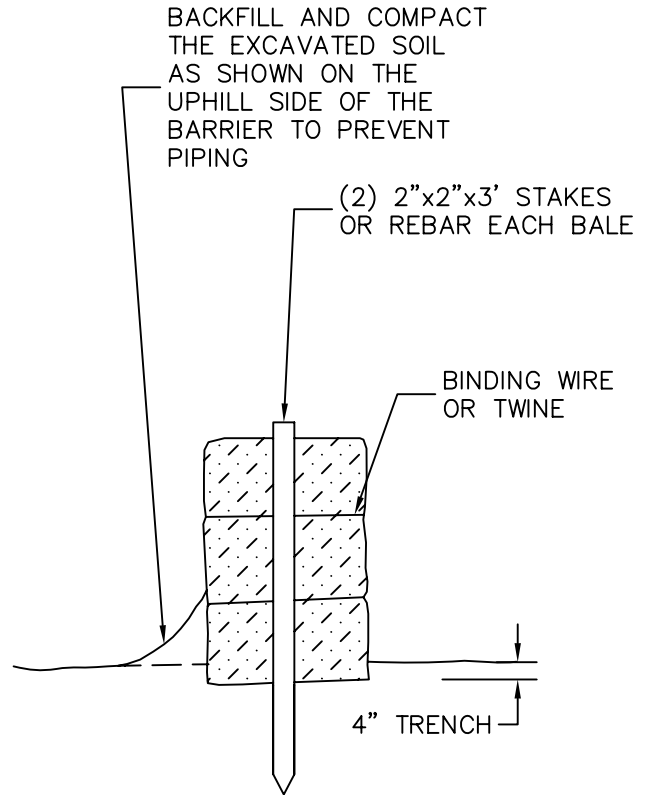
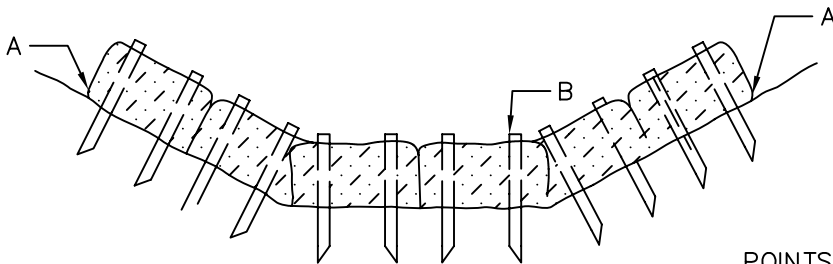


PLAN



SIDE VIEW



ELEVATION

POINTS "A" SHOULD BE HIGHER IN ELEVATION THAN POINTS "B" IF SLOPE DICTATES.

NOTES:

1. HAY BALES SHALL BE MAINTAINED AND/OR REPLACED AS REQUIRED OR AS DIRECTED BY THE ENGINEER.
2. PLACE HAY BALES SUCH THAT TWINE OR BINDING WIRE IS PARALLEL TO THE EXISTING GROUND.



TOWN OF WINDSOR
Engineering Department



BALED HAY/STRAW FOR
EROSION CONTROL

D-101



SCALE: $\frac{\text{HOR. NTS}}{\text{VER.}}$ DATE: MAY 2010