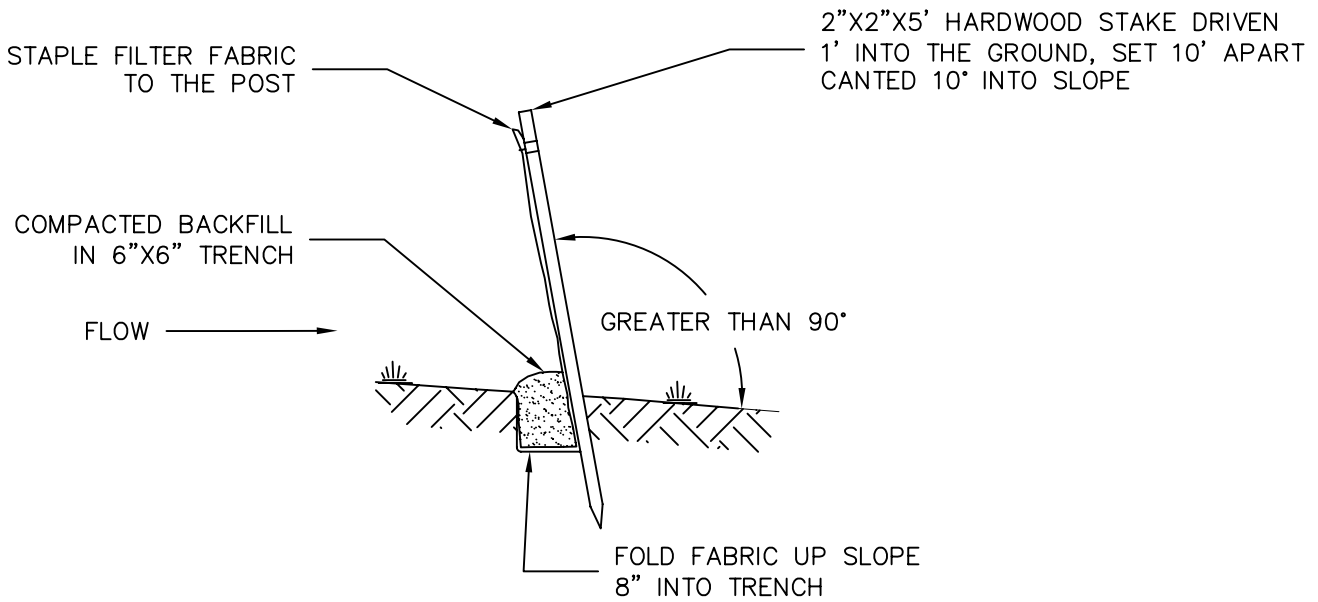
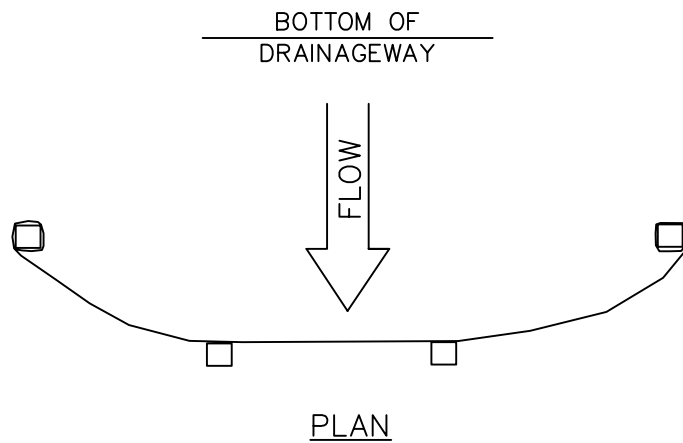


POINTS 'A' SHOULD BE HIGHER THAN POINTS 'B' IF SLOPE DICTATES



**TOWN OF WINDSOR**  
Engineering Department



FILTER FABRIC FENCE  
FOR EROSION CONTROL  
D-102



SCALE:  $\frac{\text{HOR. NTS}}{\text{VER.}}$  DATE: MAY 2010