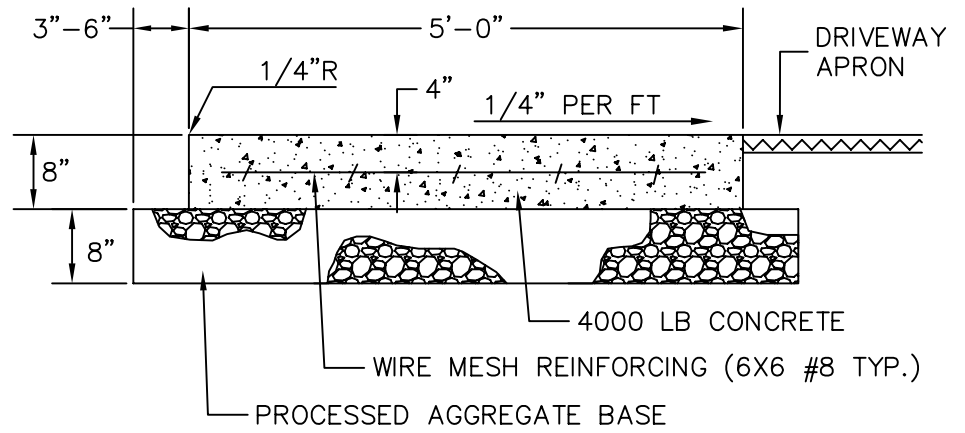


TYPICAL SECTION
5" CONCRETE SIDEWALK



TYPICAL SECTION
8" CONCRETE SIDEWALK
(DRIVEWAY)

NOTES:

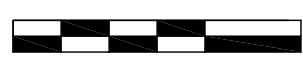
1. 1'-0" (TYP.) DOWEL SPACING FOR 4' WIDE CONCRETE WALK.
2. ALL TOOL MARKS TO BE TROWELED, FINISH CONCRETE WITH A FINE BROOM.



TOWN OF WINDSOR
Engineering Department



CONCRETE SIDEWALKS
D-205



SCALE: HOR. NTS _____ DATE: MAY 2010
VER. _____