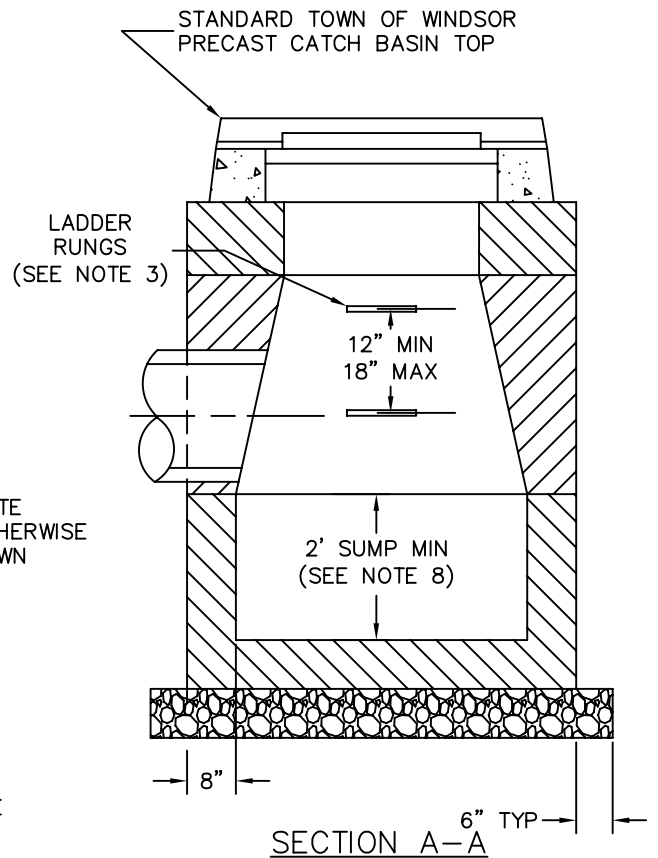
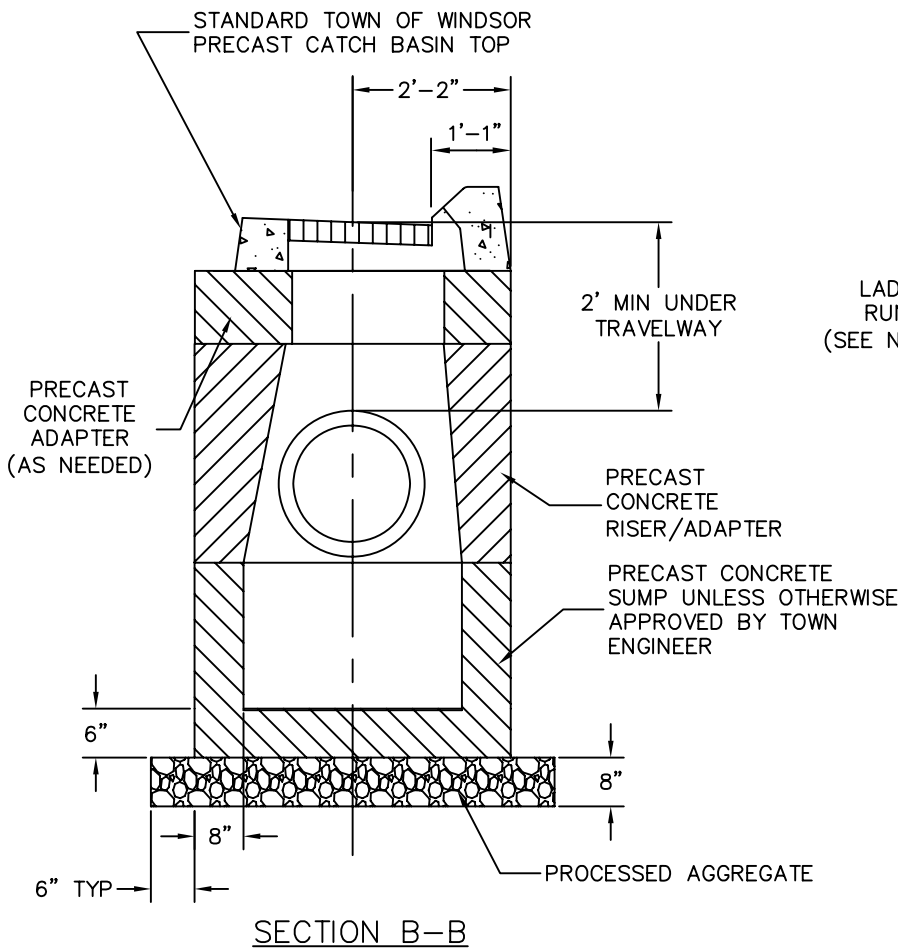
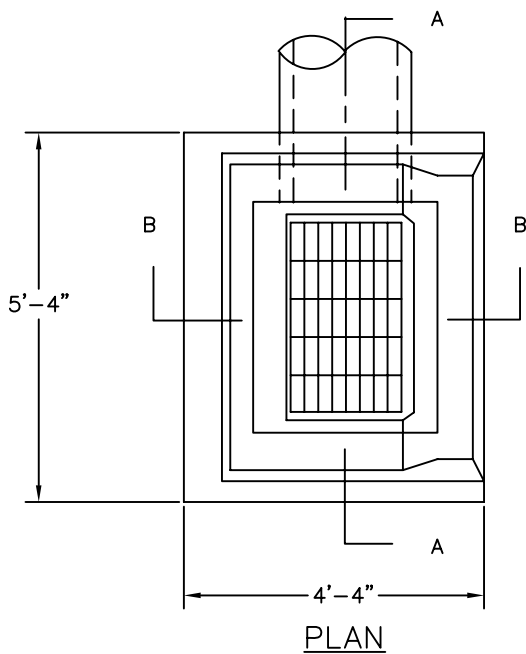


NOTES:

1. ENDS OF PIPES SHALL EXTEND TO AND BE CUT FLUSH WITH INSIDE FACE OF CATCH BASIN. APPLY MORTAR TO CUT EDGE OF PIPE TO COVER REINFORCING.
2. RED BRICK IS NOT BE USED.
3. LADDER RUNGS SHALL BE INSTALLED IN ALL CATCH BASINS WHEN THE DEPTH OF THE STRUCTURE FROM THE TOPE OF FRAME TO THE LOWEST FLOW LINE EXCEEDS 4 FEET. RUNGS SHALL CONFORM TO FORM 816 SECTION M 08.02.5.
4. ANY OVER EXCAVATION SHALL BE REPLACED WITH PROCESSED AGGREGATE BASE, MEDIUM GRADATION, OR 3/4" STONE.
5. ALL PRECAST CONCRETE PRODUCTS MUST HAVE THE CASTING DATE CLEARLY LABELED ON EACH PRODUCT. NO PRECAST CONCRETE PRODUCT SHALL BE DELIVERED TO THE SITE WITHIN THE 7 DAY PERIOD FOLLOWING THE CASTING DATE.
6. ALL WEAKENED OR KNOCKOUT AREAS THAT ARE NOT USED SHALL BE BRICKED AND MORTARED TO MAINTAIN DESIGN WALL THICKNESS.
7. THE JOINTS OF PRECAST CONCRETE CATCH BASINS SHALL BE WRAPPED WITH GEOTEXTILE COVERING AT LEAST 12 INCHES ON BOTH SIDES OF THE JOINT.
8. SUMP DEPTH SHALL INCREASE TO 4' WHEN CATCH BASIN OUTLETS TO A DRYWELL, AN INFILTRATOR SYSTEM, DETENTION BASIN, WETLANDS, WATERCOURSE, OR WHEN DIRECTED BY THE ENGINEER.
9. CATCH BASIN TOPS AND GRATES TO BE SET TO FINISHED GRADE. ASPHALT SHIMS TO BE PLACED BEFORE WINTER IS PAVING HAS NOT BEEN COMPLETED.
10. BACKFILL WITH SUITABLE MATERIAL APPROVED BY THE ENGINEER.
11. CATCH BASINS LOCATED WITHIN SUITABLE SOIL CONDITIONS AND A LOW WATER TABLE MAY INCLUDE INFILTRATION HOLES LOCATED ON THE SIDE AND BACK WALLS.



TOWN OF WINDSOR
Engineering Department



CATCH BASIN TYPE "C"
PRECAST CONCRETE
D-302



SCALE: HOR. NTS _____ DATE: MAY 2010
VER. _____