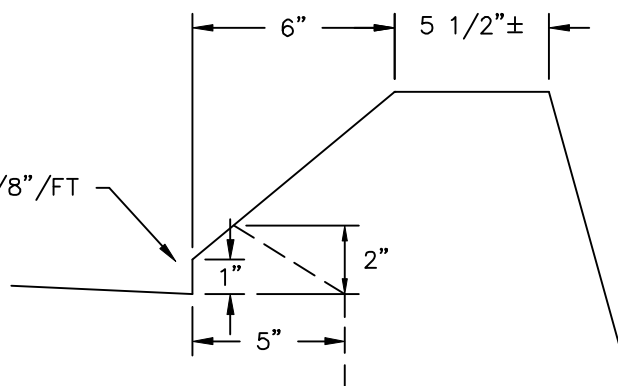
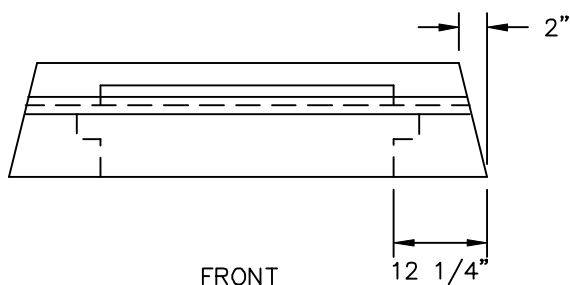


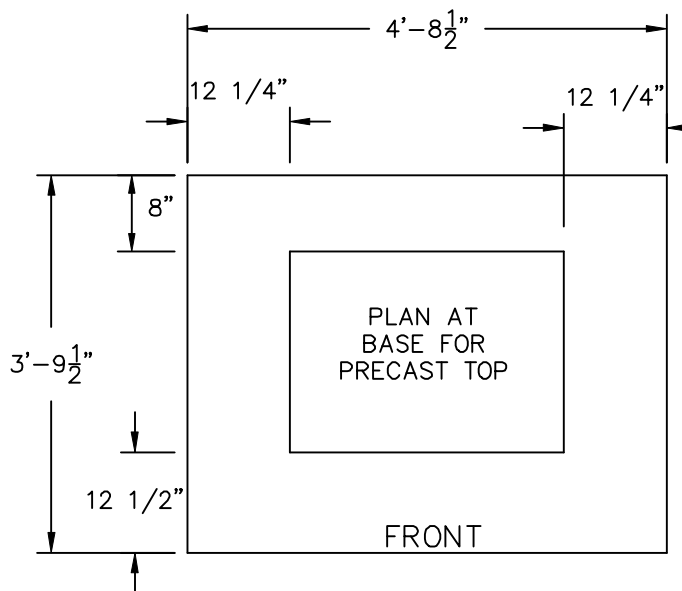
GRADE @ 3/8"/FT



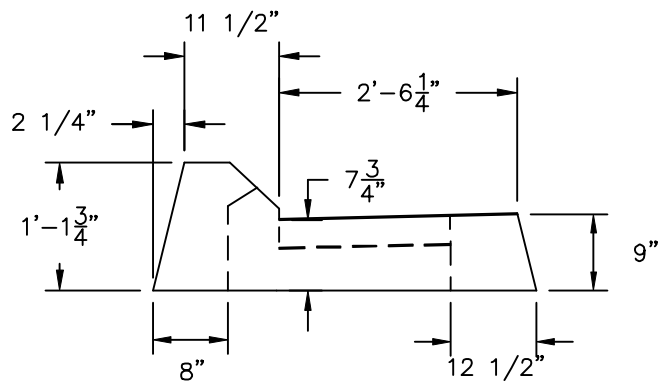
CURB INLET DETAIL



FRONT



FRONT



SIDE

NOTES:

1. ALL DIMENSIONS SHOWN ARE FOR GENERAL INFORMATION ONLY. CONTRACTOR TO SUBMIT MANUFACTURERS' SHOP DRAWINGS OF SPECIFIC PRODUCT FOR APPROVAL BY THE ENGINEER.
2. A 3'-0<sup>3</sup>/<sub>4</sub>" X 1'-7<sup>3</sup>/<sub>8</sub>" GALVANIZED, BICYCLE SAFE GRATE SHALL BE USED.
3. CONCRETE COMPRESSIVE STRENGTH - 4000 PSI AT 28 DAYS.



TOWN OF WINDSOR  
Engineering Department



WINDSOR CATCH BASIN TOP  
TYPE "C" PRECAST CONCRETE  
D-304



SCALE: HOR. NTS \_\_\_\_\_ DATE: AUG 2023  
VER. \_\_\_\_\_