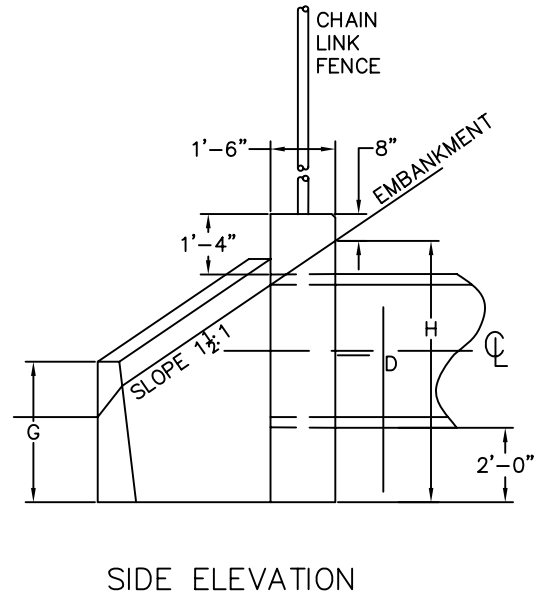
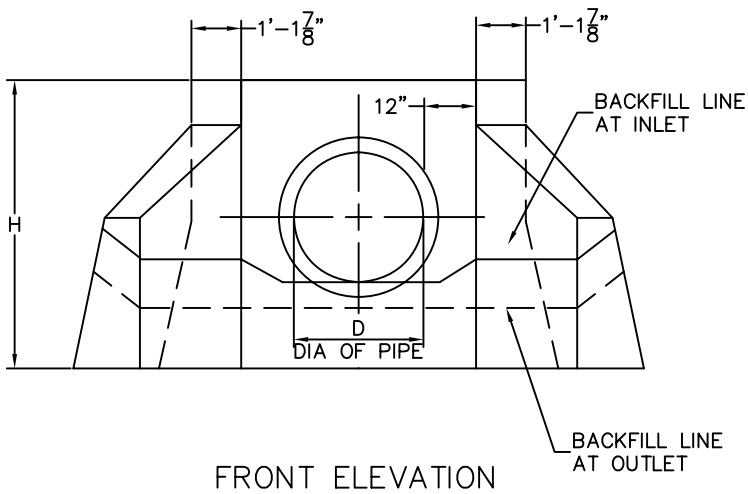


NOTES:

1. ALL EDGES OF EXPOSED SURFACE TO BE CHAMFERED ONE INCH.
2. WHEN ONE ENDWALL IS TO BE USED FOR TWO PIPES, THE DIMENSIONS OF THE ENDWALL SHALL CONFORM TO THOSE REQUIRED FOR THE LARGER PIPE, EXCEPT THE DIMENSION "L" SHALL BE INCREASED BY THE OUTSIDE DIA. OF THE SMALLER PIPE PLUS TWO FEET.
3. IF CONSTRUCTED ON FILL OR IN AN AREA OF OVER EXCAVATION 8" OF PROCESSED AGGREGATE BASE SHALL BE USED.



G	H	K	P	Q	W
FT & IN	FT & IN	FT & IN	FT & IN	FT & IN	FT & IN
3'-3"	6'-8"	9'-1 1/2"	1'-4 7/8"	0'-9 3/4"	4'-1 3/8"
3'-3"	7'-2"	9'-10 1/2"	1'-6 3/8"	0'-11 3/4"	4'-11 3/4"
3'-9"	8'-2"	10'-10"	1'-9 3/8"	0'-11 3/4"	5'-10"
3'-9"	8'-8"	11'-7 1/2"	1'-10 7/8"	0'-11 1/4"	6'-8 1/2"
3'-9"	9'-2"	12'-4 1/2"	2'-0 3/8"	0'-11 1/4"	7'-7"
3'-9"	10'-2"	13'-10 3/4"	2'-3 3/8"	0'-11 1/4"	9'-3 3/4"
3'-9"	10'-8"	14'-8"	2'-3 7/8"	0'-11 1/4"	10'-3 3/4"



TOWN OF WINDSOR  
Engineering Department



WING TYPE ENDWALL  
D-312



SCALE:  $\frac{\text{HOR. NTS}}{\text{VER.}}$  DATE: MAY 2010