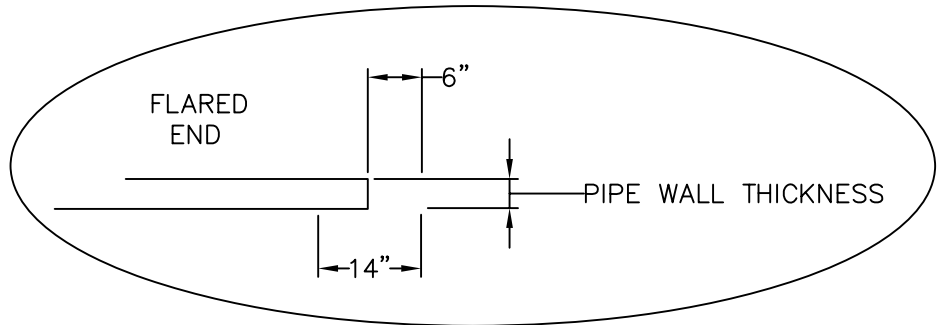
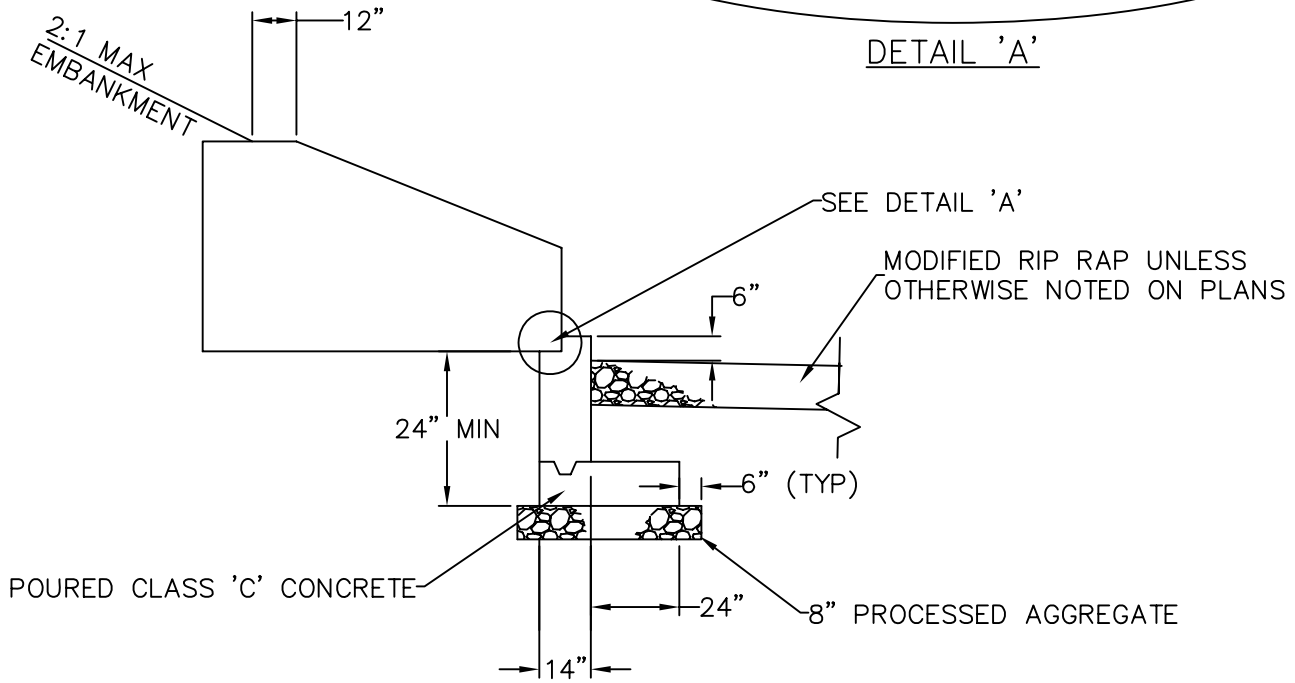


PLAN VIEW



DETAIL 'A'



SECTION A-A



TOWN OF WINDSOR
Engineering Department



SUPPORT WALL FOR
FLARED END PIPE
D-314



SCALE: $\frac{\text{HOR. NTS}}{\text{VER.}}$ DATE: MAY 2010