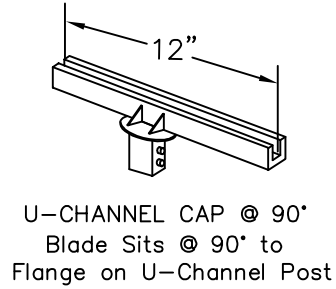
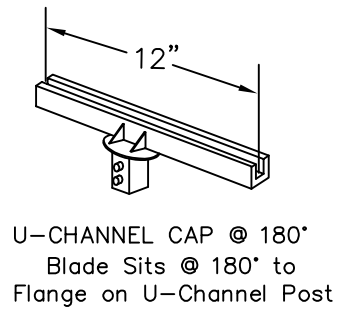
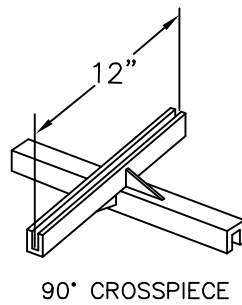


SEE LATEST STATE OF CONN. D.O.T. TYPICAL METAL SIGNS AND SIGN MOUNTING DETAILS FOR BREAKAWAY CROSS SECTION



FOR VISIBILITY, STREET NAME SIGNS MAY NOT ALWAYS BE MOUNTED ON STOP SIGNS AS SHOWN. FINAL LOCATION OF STREET NAME SIGNS SHALL BE DETERMINED BY THE LEGAL TRAFFIC AUTHORITY.

STREET NAME SIGNS:

1. SIZE: 12" HIGH BY THE NECESSARY LENGTH (MIN. 30" TO A MAX. 48" IN 6" INCREMENTS). LETTERS NOT TO BE CROWDED.
2. LETTER SIZE: 6" UPPERCASE AND CORRESPONDING LOWERCASE FOR THE LEGEND (STREET NAME) AND 4" UPPERCASE AND CORRESPONDING LOWERCASE FOR THE SUFFIX (St, Rd, Ln, etc.).
3. FONT: CLEARVIEWHWY 2-W (1-W MAY BE USED FOR EXTRA LONG STREET NAMES ONLY).
4. REFLECTIVITY AND COLORS: 3M DIAMOND GRADE DG3 WITH WHITE LETTERS AND 1/2" BORDER AND A GREEN BACKGROUND CONFORMING TO FEDERAL SIGN COLOR STANDARDS.
5. SIGN MATERIAL FLAT 0.125" GAUGE ALUMINUM WITH LEGEND ON BOTH SIDES AND WITH ROUNDED CORNERS.

OTHER SIGNS:

1. REGULATORY, WARNING, AND INFORMATIONAL SIGNAGE, PROPERTIES INCLUDING, BUT NOT LIMITED TO: SIZE, FONT STYLE, FONT SIZE, COLORS, SYMBOLS, AND LAYOUT SHALL CONFORM TO THE MANUAL ON UNIFORM TRAFFIC CONTROL DEVICES, 2009, OR AS AMENDED.

SIGN POST

1. ALL SIGNS SHALL BE MOUNTED ON GALVANIZED STEEL BREAKAWAY U-CHANNEL POSTS, WITH A WEIGHT OF 3 POUNDS PER FOOT.



TOWN OF WINDSOR
Engineering Department



SIGNAGE
D-407



SCALE: $\frac{\text{HOR. NTS}}{\text{VER.}}$ DATE: OCTOBER 2014