



880MP Series Nonmetallic Floor Boxes

Modulink™ 880 Series Nonmetallic Floor Boxes provide power and communication services directly to the workstation or to any open space location. The Modulink Floor Box is a gangable box that allow a one-gang floor box to easily be turned into a two- or three-gang box simply by ganging together individual boxes. This floor box has many applications including commercial offices, retail stores, malls, financial and government institutions.

Single-gang Modulink 880 Series Nonmetallic Floor Box can be ganged together to become two- or three-gang boxes to provide multiple services.

Features & Benefits

- **Multiple service capability.** Eliminates the cost of a separate floor box and cover to accommodate communication service.
- **Depth markings on exterior of the box.** Makes floor box depth calculations quick and easy. Reduces installation time and labor costs.
- **2" (51mm) conduit openings.** Provides the largest conduit feed in the industry. Meets customer requirements for greater communication cable capacity.
- **Ratchet adjusting ring.** Allows connection of cover flange without glue or mechanical fasteners. Reduces installation time and cost by providing 10° of post-pour adjustment of the cover flange.
- **Conduit reducers and plugs provided.** Allows direct reduction from 2" to 1 1/2" or 1 1/4" (51mm to 38mm or 32mm) conduit. Reduces installation time by providing direct reduction and separate plugs by eliminating the need to cut out plugs to form reducers.
- **Brushed aluminum covers for power applications.** 830CK Series Aluminum Covers have been redesigned to now accept threaded conduit when passing through power cables.
- **Brass and brushed aluminum covers to accept single locking power receptacles.** New 828DLR Series provides single flip lid cover.
- **Cubic inch markings on the interior of the box.** No need to calculate capacity for wire fill, saving installation time.
- **Ratchet adjusting ring has built-in fiber storage.** Provides bend radius control for fiber optic cables.
- **Pass-through capability.** Can feed multiple gangs from a single cable feed location. Reduces total installation time.
- **Modular design and gangability.** One SKU to order boxes with the ability to configure boxes as needed on the job site.
- **Internal spacer.** Protects box from deformation of the sidewalls when high temperature additives are used in the concrete pour.
- **Redesigned mudcap.** High impact mudcap protects the box from damage when heavy equipment such as scissor lift trucks come in contact with the box during installation.
- **TopGuard protection.** Activation covers for the 880MP PVC box are TopGuard protected. These cover assemblies keep out water, dirt, and debris from the power and communication compartments.
- **Communication connectivity options.** Accepts industry standard and proprietary devices from a wide range of manufacturers to provide a seamless and aesthetically pleasing interface for voice, data, audio, and video applications at the point-of-use. A wide selection of data and bezel options available for use with Ortronics® TracJack™ and Series II devices.

Vertical Markets

- Commercial
- Entertainment
- Retail
- Education
- Healthcare
- Government



Compliance

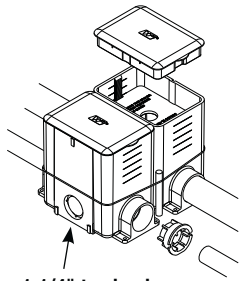
cULus Listed Nonmetallic Outlet Boxes. File E110748 Guide QCMZ.
Listed by Underwriters Laboratories Inc. to their standard UL514A, 514C, 514D, and Canadian standard C22.2.



Protection from water, dirt, and debris.

Modulink 880MP Series Floor Boxes Ordering Information

880MP



1 1/4" trade size knockout opening (both sides)

Nonmetallic Rectangular Floor Box – Box comes complete with reusable mudcap, insert spacer, conduit plugs and reducers. Reducers provided for reduction to 1", 3/4", and 1/2" (25mm, 19.1mm, and 12.7mm) conduit. Minimum concrete depth is 3 1/2" (89mm) and maximum concrete depth is 6" (152mm). Minimum capacity is 50 cu. in. (819ml) and maximum capacity is 100 cu. in. (1639ml). Box dimensions are 4 1/8" W x 5 1/2" L x 6" (105mm x 140mm x 152mm).

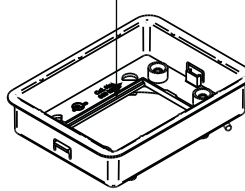
Country of Origin: USA

NOTE: Insert spacer should not be removed until after concrete pour.

NOTE: Box can be connected together to create a two- or three-gang option.

880MPA

Activate Inserts Snap Here

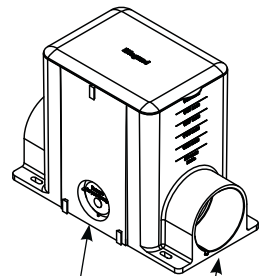


Nonmetallic Floor Box Adjusting Ring – Comes with fiber storage loop. Also includes brass inserts for flange connection and green ground wire for ground connection. Activate modular inserts snap directly into the adjusting ring without the need for a bezel. Also includes mounting screws to attach flange to box body. Ortronics® connectivity inserts do not snap directly into the adjusting ring. For Ortronics® inserts use the 828GFITC or 829PFLRT.

Country of Origin: USA

NOTE: One 880MPA is needed for each 880MP2 used. For example, a three-gang box will require three 880MPA Adjusting Rings (sold separately).

880MP2



1 1/4" trade size knockout opening (both sides)

2" trade size opening (both ends)

Nonmetallic Rectangular Floor Box – Box comes complete with reusable mudcap, insert spacer, conduit plugs and reducers. Reducers provided for reduction to 1 1/2", 1 1/4", 1", 3/4", and 1/2" (38mm, 32mm, 25mm, 19.1mm, and 12.7mm) conduit. Minimum concrete depth is 4" (102mm) and maximum concrete depth is 6" (152mm). Minimum capacity is 50 cu. in. (819ml) and maximum capacity is 100 cu. in. (1639ml). Box dimensions are 4 1/8" W x 8 1/4" L x 6 3/16" (105mm x 210mm x 157mm).

Country of Origin: USA

NOTE: Insert spacer should not be removed until after concrete pour.

NOTE: Box can be connected together to create a two- or three-gang option.

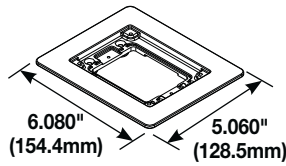
All cover assemblies for the Modulink 880MP Series Floor Box have TopGuard protection.



Modulink 880MP Series Powder-Coated Aluminum Cover Plate Flanges Ordering Information

817TCAL-BK
817TCAL-GY
817TCAL-BS
817TCAL-NK
817TCAL-BZ

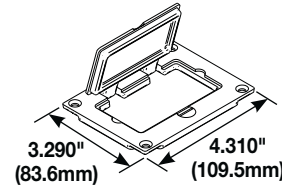
One-Gang Powder-Coated Aluminum Combination Carpet and Tile Flange – Accepts Ortronics® MAB6TJ TracJack and MAB3S2 Series II adapters and Wiremold CM Series inserts, sold separately. Flanges are available in five decorative colors: black, gray, brass, nickel and bronze.



Country of Origin: China

828GFITCAL-BK
828GFITCAL-GY
828GFITCAL-BS
828GFITCAL-NK
828GFITCAL-BZ

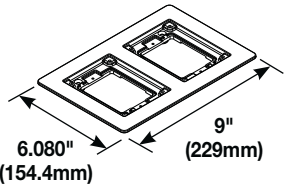
Powder-Coated Aluminum Rectangular Cover Plate – Allows for mounting a duplex receptacle (Decorator or GFCI style) with a rectangular flip cover.



Country of Origin: China

827TCAL-BK
827TCAL-GY
827TCAL-BS
827TCAL-NK
827TCAL-BZ

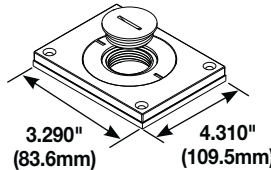
Two-Gang Powder-Coated Aluminum Combination Carpet and Tile Flange – Accepts Ortronics® MAB6TJ TracJack and MAB3S2 Series II adapters and Wiremold CM Series inserts, sold separately. Flanges are available in five decorative colors: black, gray, brass, nickel and bronze.



Country of Origin: China

829CKAL-1BK
829CKAL-1GY
829CKAL-1BS
829CKAL-1NK
829CKAL-1BZ

Powder-Coated Aluminum Cover Plate – Power or communication plate with 2" (51mm) and 1" (25mm) plugs. Covers are available in five decorative colors: black, gray, brass, nickel and bronze.

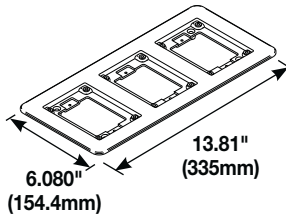


Country of Origin: China

NOTE: Acceptable for use with threaded conduit when passing through power cables.

837TCAL-BK
837TCAL-GY
837TCAL-BS
837TCAL-NK
837TCAL-BZ

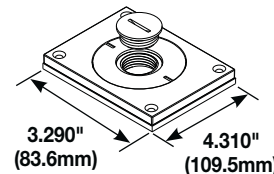
Three-Gang Powder-Coated Aluminum Combination Carpet and Tile Flange – Accepts Ortronics® MAB6TJ TracJack and MAB3S2 Series II adapters and Wiremold CM Series inserts, sold separately. Flanges are available in five decorative colors: black, gray, brass, nickel and bronze.



Country of Origin: China

829CKAL-3/4BK
829CKAL-3/4GY
829CKAL-3/4BS
829CKAL-3/4NK
829CKAL-3/4BZ

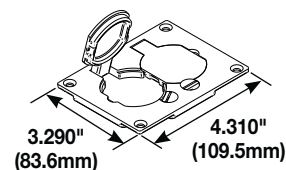
Powder-Coated Aluminum Cover Plate – Power or communication plate with 2" (51mm) and 3/4" (19.1mm) plugs. Covers are available in five decorative colors: black, gray, brass, nickel and bronze.



Country of Origin: China

828R-TCAL-BK
828R-TCAL-GY
828R-TCAL-BS
828R-TCAL-NK
828R-TCAL-BZ

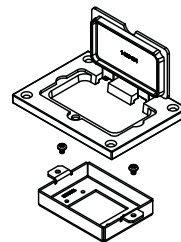
Powder-Coated Aluminum Duplex Cover Plate – Flip lids. Can also be used with a 106 type communication adapter.



Country of Origin: China

828MAAP

A/V Adapter Plate – Sheet metal adapter plate that accepts two (2) Extron® Electronics MAAP style device plates (sold separately). For use with 828GFITC, 828GFITCAL or 828PRGFI cover plates. (Sold separately.)

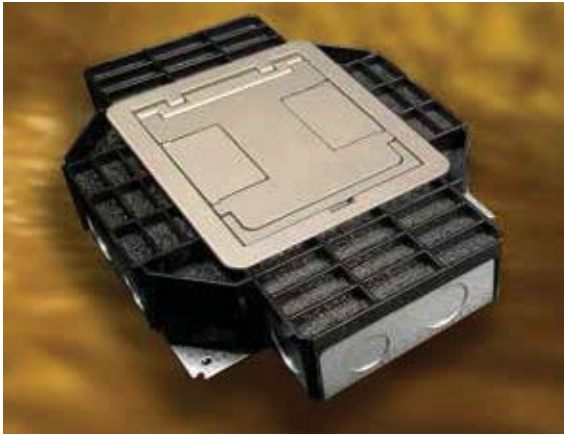


Country of Origin: China

NOTE: Brass covers and flanges are not interchangeable with aluminum or nonmetallic covers and flanges. Nonmetallic covers are interchangeable with aluminum flanges.

All cover assemblies for the Modulink 880MP Series Floor Box have TopGuard protection.





RFB2-0G Floor Box with FloorPort Cover

Recessed Floor Boxes for Concrete & Wood Floors

Resource RFB® Series of Floor Boxes are versatile recessed activation solutions that provide power, communication and/or audio/video services to open space areas, or directly to workstations.

Resource RFB Series Floor Boxes are available in two- to six-gang models with a variety of aesthetic cover options including colors and profiles available.

Resource RFB Series Floor Boxes have many applications, including schools, financial institutions, commercial office buildings, hospitality and residences.

PRODUCTS: RFB2, RFB2-SS, RFB2-0G, RFB4, RFB4-SS, RFB4-4DB, RFB4-CI-1, RFB4-CI-NA, RFB6, RFB6-0G

Features & Benefits

- **RFB6 has independent wiring compartments that allow capacity for up to six duplex receptacles and/or communication services.** Reduces overall cost by providing for most cabling requirements.
- **The RFB4 has three versions for various applications.** A cast iron version to meet on grade requirements, a steel version to reduce installation cost on above grade floors, and a shallow steel version that provides flexibility with varying concrete depths.
- **Fully adjustable before and after the concrete pour.** Labor savings by adapting to various pour depths and conditions.
- **Range of conduit sizes.** Allows for most conduit schemes, even feed through capability, which saves time and money during installation. KOs range from 1/2" to 2" trade size.
- **Triple service boxes.** Accommodate power, communication and/or audio/video devices which reduces the need for multiple boxes.
- **Installs in both concrete and wood floors.** Provides the first recessed wood floor box for both commercial and residential applications.
- **RFB2-SS & RFB4-SS design allows for pass-around tunneling.** Flexible design of shallow floor boxes allows adjacent compartments to be wired together.
- **FloorPort Activation Covers.** Provides TopGuard protection from water, dirt and debris plus added strength and durability. Available in brushed aluminum and five decorative powder coat finishes: Black, Brass, Nickel, Gray and Bronze.
- **Wide variety of mounting brackets.** Can adapt to most power and communication needs. Reduces overall life cycle cost.
- **2" Conduit Hub.** By using 2HUB with the RFB6 Series Floor Box (sold separately) a greater capacity of pre-terminated cables can be brought in the a shallower box. Increasing the functionality and reducing concrete pours.
- **Lightweight "slab-on-grade" version.** Special fusion-bonded epoxy corrosion resistant paint finish allows for slab-on-grade use without the weight of cast iron material.
- **Datacom connectivity options.** Accepts industry standard and proprietary devices from a wide range of manufacturers to provide a seamless and aesthetically pleasing interface for voice, data, and A/V applications at the point-of-use. A wide selection of data and adapter options are available for use with Ortronics® TracJack and Series II devices.
- **Buy America Act/NAFTA versions.** FloorPort Service Fittings are available in versions that meet the Buy America Act/NAFTA requirements.

Vertical Markets

- Commercial
- Education
- Entertainment
- Healthcare
- Retail

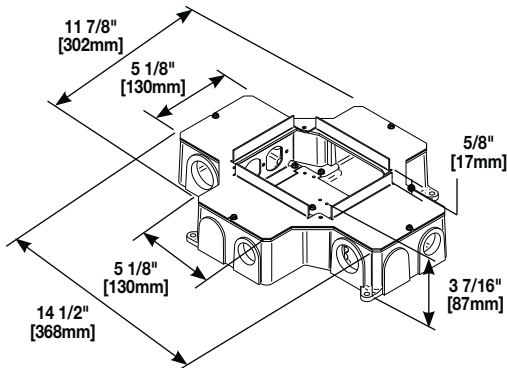


Compliance

cULus Listed Metallic Outlet Boxes for tile, terrazzo, carpet and wood floors. File E2961 Guide QCIT



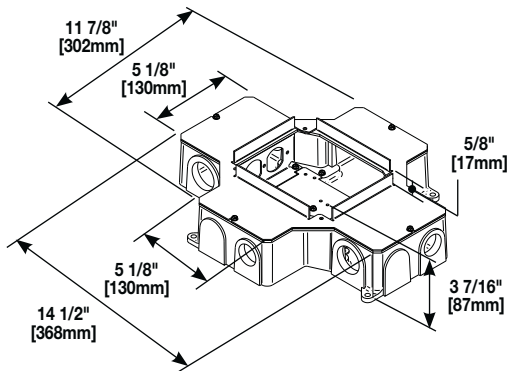
Protection from water, dirt, and debris.

RFB4-CI-1 & RFB4-CI-NA Floor Box Ordering Information
RFB4-CI-1


Four-Compartment Cast Iron Box – 14 1/2" L x 11 7/8" W x 3 7/16" D [368mm x 302mm x 87mm]. Fully adjustable with tunnel compartment and two receptacle brackets. **Feed through from adjacent or opposite compartments only, (not cross compartments).** Communication brackets not included. See "Accessories".

NOTE: Only for use in concrete floors.
All boxes and activations are sold separately.

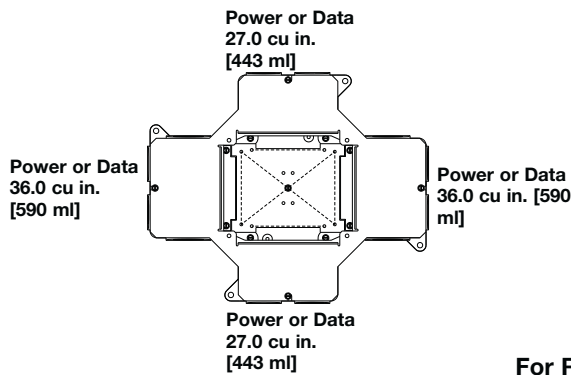
Country of Origin: China

RFB4-CI-NA


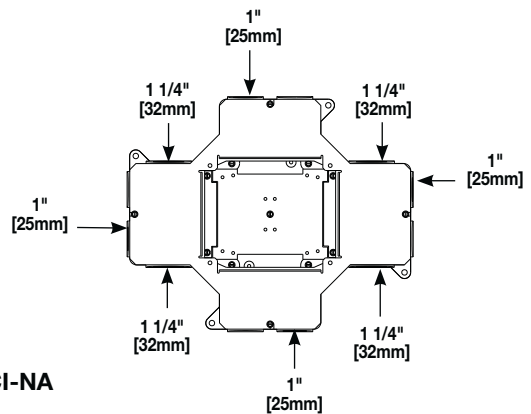
Four-Compartment Cast Iron Box – 14 1/2" L x 11 7/8" W x 3 7/16" D [368mm x 302mm x 87mm]. Fully adjustable with tunnel compartment and two receptacle brackets. **Feed through from adjacent or opposite compartments only, (not cross compartments).** Communication brackets not included. See "Accessories".

NOTE: Only for use in concrete floors.
All boxes and activations are sold separately.

Country of Origin: USA

RFB4-CI-1 & RFB4-CI-NA Floor Box Compartment Capacities and Knockout Locations and Sizes


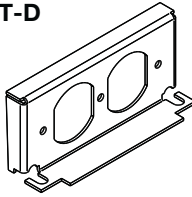
For RFB4-CI-1 & RFB4-CI-NA



NOTE: Pricing varies depending on country of origin. Consult your local sales representative for more information.

RFB4-CI-1 & RFB4-CI-NA Floor Box Accessories Ordering Information

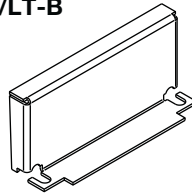
CIHT-D



Internal Duplex Receptacle Bracket – Accepts standard 15 Amp & 20 Amp Duplex Receptacles.

Country of Origin: USA

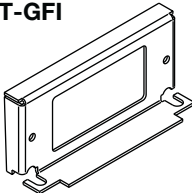
CIH/LT-B



Internal Blank Bracket – Used to close off unused gangs.

Country of Origin: USA

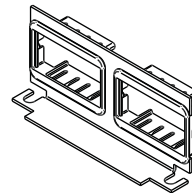
CIHT-GFI



Internal GFI Device Bracket – Accepts standard GFCI or Decorator Style Receptacles, Communication or Audio/Video Devices.

Country of Origin: USA

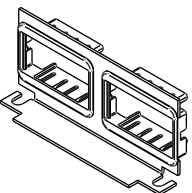
CILT-2AB



Communication Bracket – Communication bracket with two 2A size Activate adapters included. Accepts Wiremold CM2 Series Open System communication modules (sold separately).

Country of Origin: Mexico

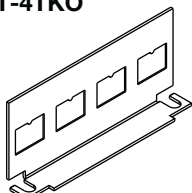
CILT-2-RT



Communication Bracket – Communication bracket with Ortronics AB2TJ TracJack and ABS2 Series II adapters included. Accepts Ortronics workstation connectivity outlets and modular inserts.

Country of Origin: Mexico

CILT-4TKO

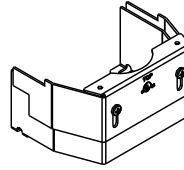


Communication Bracket – Communication bracket with four (4) RJ opening knockouts. Use as blank plate or for up to four RJ openings.

NOTE: Opening dimension is 9/16" x 3/4" [14.3mm x 19.1mm].

Country of Origin: USA

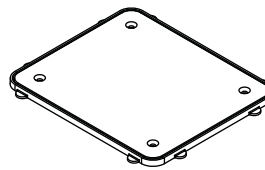
RFBCIKIT



Barrier Kit – Barrier kit used with RFB4-CI Floor Boxes. Kits are sold separately.

Country of Origin: USA

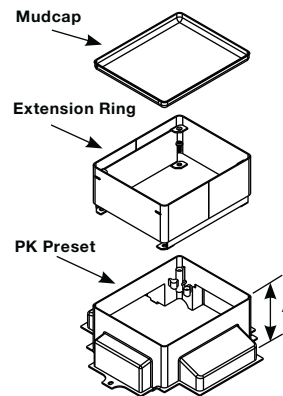
FP-CTR



Bare Concrete & Terrazzo Ring – Nonmetallic ring for use on bare polished concrete and terrazzo floor applications.

Country of Origin: USA

PKER

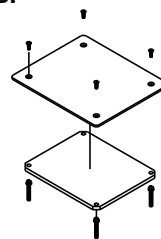


Extensions – Attaches to preset to add height to preset. Can be field installed.

Extension	Height Above Preset "A"
PKER-10	1" [25mm]
PKER-15	1 1/2" [38mm]
PKER-20	2" [51mm]
PKER-25	2 1/2" [64mm]
PKER-30	3" [76mm]

Country of Origin: USA

S3AXBP



Blanking Plate – Aluminum top plate with steel support plate and four (4) adjusting screws.

Country of Origin: USA

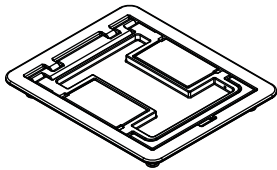
FloorPort Series Cover Assemblies for Resource RFB® Series Floor Boxes

FLOORPORT PART NUMBER CONFIGURATOR								
FP	B		TC		NK			
FloorPort Cover	Blank Top	B	Tile (Flangeless)	T	Nickel	NK	Bronze	BZ
	Cutout Top	C	Tile/Carpet (Flanged)	TC	Brass	BS	Gray	GY
	Furniture Feed	FF			Black	BK	Brushed Aluminum	AL

FloorPort Series Flanged Cover Assemblies Ordering Information

FPCTCBK

FPCTCBZ
FPCTCBS
FPCTCNK
FPCTCAL
FPCTCGY

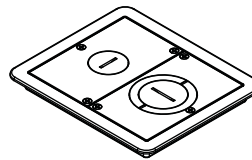

Cutout Cover Assembly –

Flanged cover for use in tile or carpet installation. Die-cast aluminum assembly available in black (BK), bronze (BZ), brass (BS), nickel (NK), gray (GY), or brushed aluminum (AL). Insert in lid allows for carpet or tile cutouts to match finished floor.

Country of Origin: India

FPFFTCBK

FPFFTCBZ
FPFFTCBS
FPFFTCNK
FPFFTCAL
FPFFTCGY

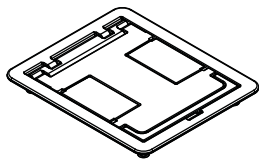

Furniture Feed Cover Assembly –

Flanged cover for use in tile or carpet installation. Die-cast aluminum assembly available in black (BK), bronze (BZ), brass (BS), nickel (NK), gray (GY), or brushed aluminum (AL). Provided with one 1" trade size screw plug for power or communication type cabling and one combination 1 1/4" and 2" trade size screw plug for communication type cabling. Allows for feeding both power and communication cabling.

Country of Origin: USA

FPBTCBK

FPBTCBZ
FPBTCBS
FPBTCNK
FPBTCAL
FPBTCGY

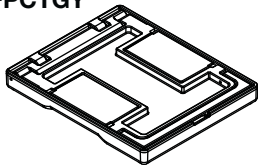

Blank Cover Assembly –

Flanged cover for use in tile or carpet installation. Die-cast aluminum assembly available in black (BK), bronze (BZ), brass (BS), nickel (NK), gray (GY), or brushed aluminum (AL). Lid area is flush with the finished floor, no cutouts provided.

Country of Origin: India

FloorPort Series Flangeless Cover Assemblies Ordering Information

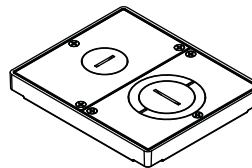
FPCTBK
FPCTBZ
FPCTBS
FPCTNK
FPCTAL
FPCTGY


Cutout Cover Assembly –

Flangeless cover for use in tile installations. Die-cast aluminum assembly available in black (BK), bronze (BZ), brass (BS), nickel (NK), gray (GY), or brushed aluminum (AL). Insert in lid allows for tile cutouts to match finished floor.

Country of Origin: India

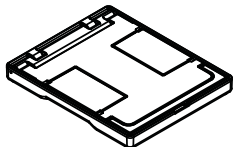
FPFFTBK
FPFFTBZ
FPFFTBBS
FPFFTNK
FPFFTAL
FPFFTGY


Furniture Feed Cover Assembly –

Flangeless cover for use in tile installations. Die-cast aluminum assembly available in black (BK), bronze (BZ), brass (BS), nickel (NK), gray (GY), or brushed aluminum (AL). Provided with one 1" trade size screw plug for power or communication type cabling and one combination 1 1/4" and 2" trade size screw plug for communication type cabling. Allows for feeding both power and communication cabling.

Country of Origin: USA

FPBTBK
FPBTBZ
FPBTBS
FPBTNK
FPBTAL
FPBTGY


Blank Cover Assembly –

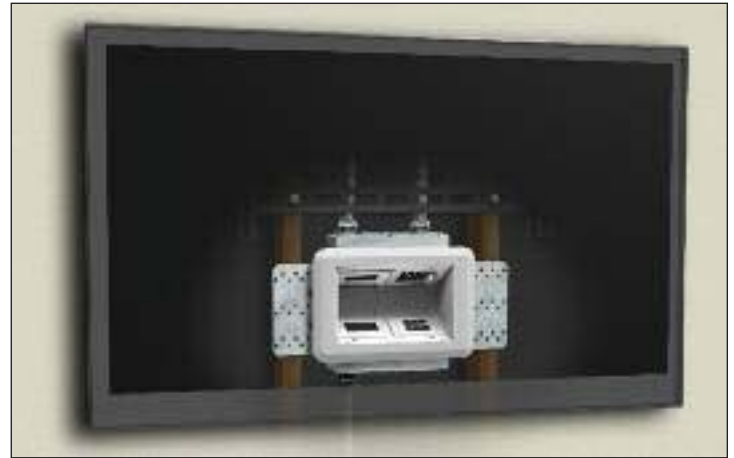
Flangeless cover for use in tile installations. Die-cast aluminum assembly available in black (BK), bronze (BZ), brass (BS), nickel (NK), gray (GY), or brushed aluminum (AL). Lid area is flush with the finished floor, no cutouts provided.

Country of Origin: India

NOTE: Pricing varies depending on country of origin. Consult your local sales representative for more information.

Evolution™ Series Boxes...now available for walls

Evolution™ Series Wall Boxes are the latest advancement in the most innovative line of pathways in the industry. These wall boxes are designed for new work and old work applications while offering a sleek, clean look that architects will love and the functionality engineers and contractors require. Offered in a 2-gang version with a storage module for active A/V equipment and a 4-gang version when more power, communications, and A/V capacities are required, Evolution Series Wall Boxes are ideal for areas with large or small capacity needs. Evolution Series Wall Boxes are ideal for any area where a flat screen is required, such as: conference rooms, airports, entertainment venues, college campuses, and hospitals.



EFSB4 installed behind a flat screen display.

FEATURES & BENEFITS

■ **New work and old work applications.** Evolution Series Wall Boxes have been design to be able to be installed in both new work and old work installations. Saving time and money on the jobsite.

■ **Removable modules.** Removable modules facilitate quick and easy installations by allowing service feeds to be connected outside the box, increasing jobsite productivity and reducing overall project cost.



■ **Storage module.** The 2-gang Evolution Series Wall Box comes complete with a built-in storage module, large enough to hold the smaller receivers, and controllers that are typically found behind flat screen monitors.



■ **Available options.** Evolution Series Wall Boxes are available in both a 2-gang and a 4-gang version, allowing for maximum flexibility to fit the capacity needs of the task at hand.



■ **Finished cover.** Evolution Series Wall Boxes come complete with a decorative cover option that is field-paintable allowing the product to blend in and match the room decor.



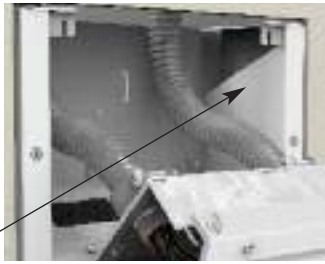
■ **Low Profile Cover.** The decorative trim flange and cover are low profile (less than 1/4" from the wall surface) allowing the monitors to seat closer to wall.



FEATURES & BENEFITS (continued)

- **Built in Tunnel:** The built in tunnel allows services to be wrapped around, increasing flexibility and configurability, while reducing the number of service feeds that need to be brought to the box.

Tunnel



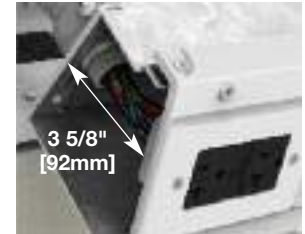
- **Feed Through Capability.** Between the removable modules and the tunneling feature, the Evolution Series Wall Boxes allows for service feeds to be fed through the boxes, reducing the number of feeds required, saving time and money.



- **Accepts standard size wall plates.** Each of the wall boxes are designed to accept standard size (2 3/4" x 4 1/2") [70mm x 114mm] device plates. No proprietary plates means quicker and easier installations.



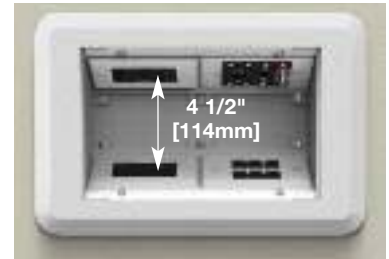
- **Wiring Capacity:** 3 5/8" [92mm] of space behind the device plate allows for a maximum amount of space for wiring deeper A/V devices.



- **Finished interior.** Fully finished interior removes the unfinished industrial look while increasing visibility, making it easier to see where to plug in devices.



- **Plug-in Capacity.** 4 1/2" [114mm] of space between devices allows the end user to be able to easily plug into the active devices that are across from one another.



- **Multiple size knockouts.** All of the Evolution Series Wall boxes can accept service feeds from 3/4" trade size up to 2" trade size. These knockout plates are removable and interchangeable, providing the most flexibility and configurability options possible.



- **Datacom connectivity options.** Accepts industry standard and proprietary devices from a wide range of manufacturers to provide a seamless and aesthetically pleasing interface for voice, data and video applications at the point-of-use. A wide selection of data and adapter options are available for use with Ortronics® TracJack and Series II devices.

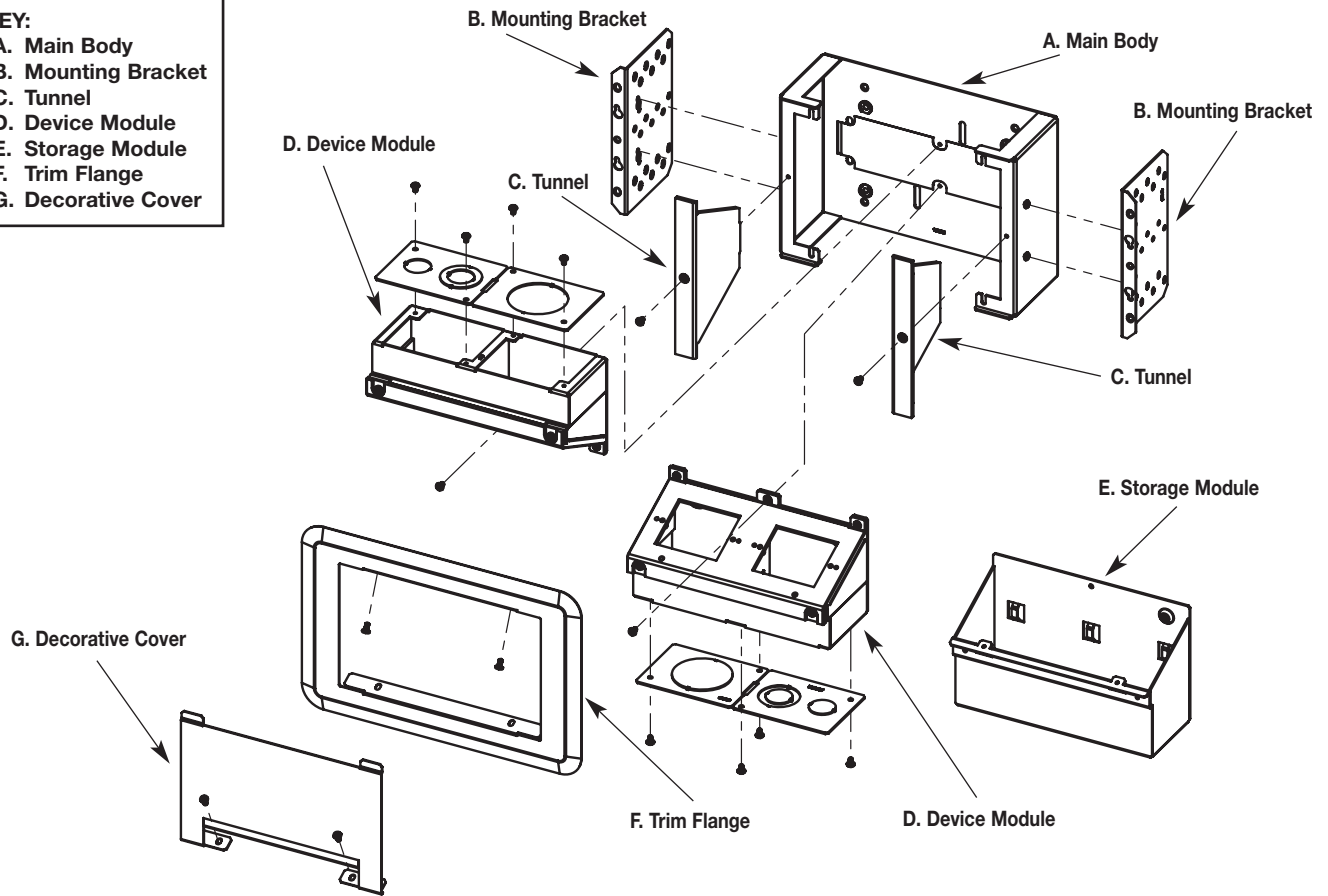
- **UL Listed to U.S. and Canadian safety standards.**

- **Removable Dividers.** Each module is supplied with one divider that can be removed and replaced when needed. Removable dividers allow for maximum configurability.

- **2" x 4" wall cavity.** The Evolution Series Wall Boxes are designed to fit within a standard 2"x 4" [51mm x 102mm] (metal or wood) wall cavity.

Evolution Series Floor Box Included Components

- KEY:**
 A. Main Body
 B. Mounting Bracket
 C. Tunnel
 D. Device Module
 E. Storage Module
 F. Trim Flange
 G. Decorative Cover



Evolution Series Wall Box Model Selection Guide

EVOLUTION WALL BOX MODEL	EFSB2	EFSB4
INSTALL TYPE: New Work Old Work	YES YES	
BOX CAPACITY:	2-Gangs	4-Gangs
DEPTH BEHIND PLATES:	3 5/8" [92mm]	
REMOVABLE MODULES:	YES	
DEVICE PLATE SIZE:	Uses Standard Size Device Plates: Single-Gang (2 3/4" x 4 1/2") [70mm x 114mm]	
COVER COLORS:	White	
COMPARTMENT VOLUMES:	43 cubic inches [705ml]	43 cubic inches [705ml]
KO SIZE RANGE: (Trade Size)	3/4" to 2"	
TUNNELS:	YES	
NOTES:	Trim flange and decorative cover are paintable	

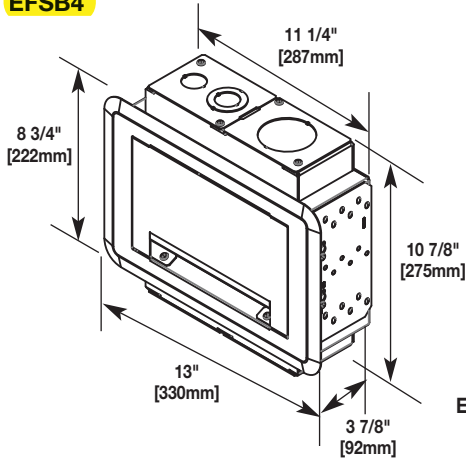
Evolution Series EFSB4 Wall Box Ordering Information

Catalog No./Item

Description/Specifications

EFSB4

4-Gang Wall Box – Designed to fit and be concealed behind 42" [1.067m] or larger flat screen displays. Can be installed in both new work and old work applications. Has 4 NEMA size openings for power, communication, or A/V devices.



Components Included:

- A** Box Body
- B** Mounting Brackets (2)
- C** Tunnel (2)
- D** Device Modules (2)
- E** Trim Flange
- F** Decorative Cover

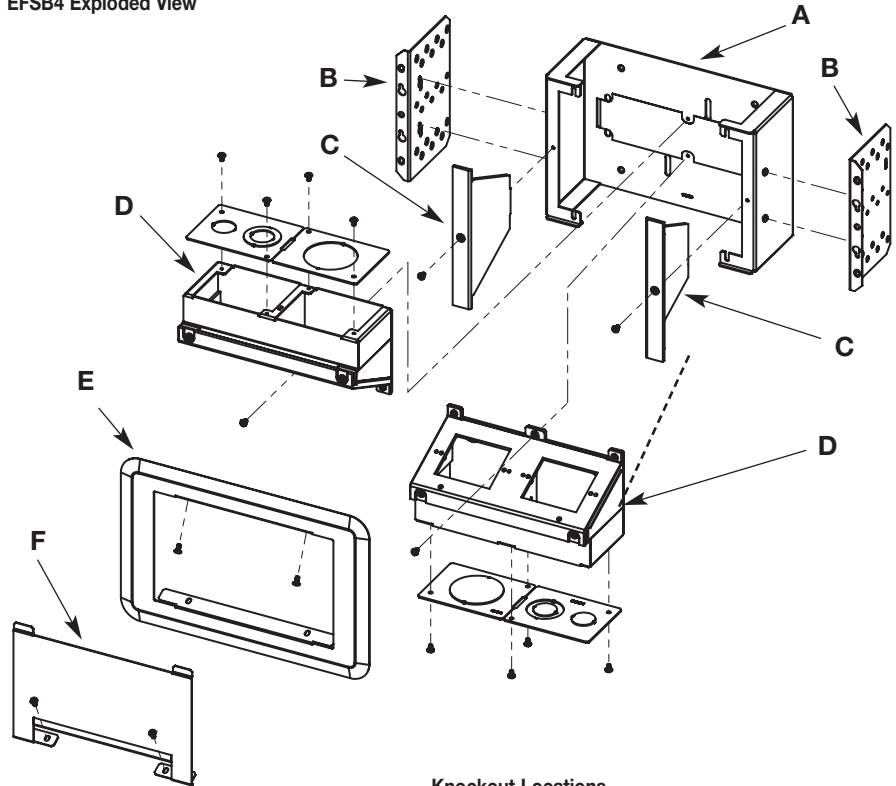
Each Module Consists of:

- One (1) Device Bracket
- One (1) Back Box
- One (1) Removable Divider
- One (1) EFS-DIV Divider
- 3/4"-1 1/4" Removable KO Plate
- 2" Removable KO Plate

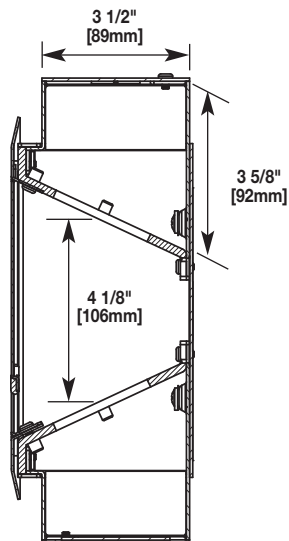
Items not included with the box and sold separately:

- Receptacles
- Communication Jacks
- A/V Devices
- Device plates

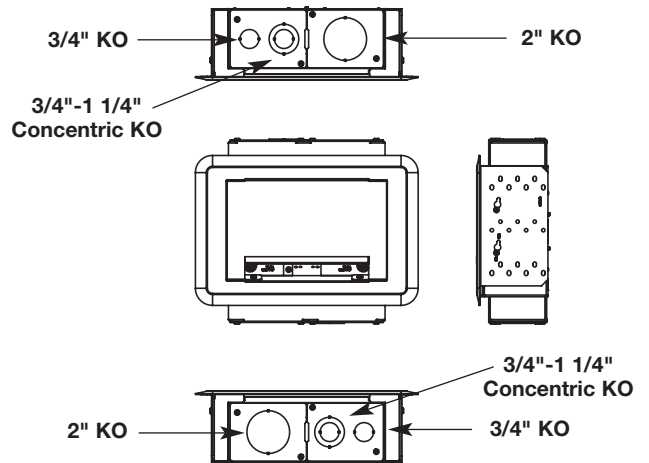
EFSB4 Exploded View



Device Module



Knockout Locations



FloorSource™ Series Round Furniture Feed Floor Boxes

The new FloorSource™ Series Round Furniture Feed Floor Box is designed to work in both wood and raised floor applications. Constructed of die cast aluminum material, the furniture feed floor box can be divided for dual service. Each 3" [76mm] tall box is provided with a durable sheet metal cover. This box accepts the 6" [182mm] round Evolution™ Series furniture feed covers.

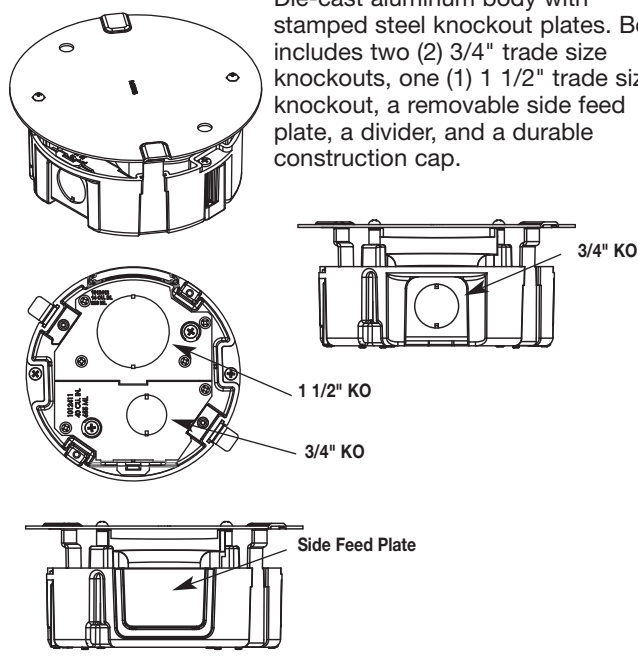
The FloorSource furniture feed box has many applications including: commercial offices, financial insitutions, education and hospitality locations.



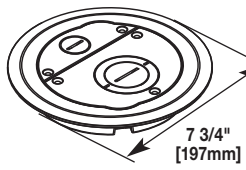
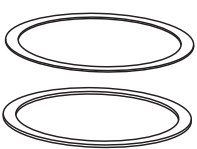
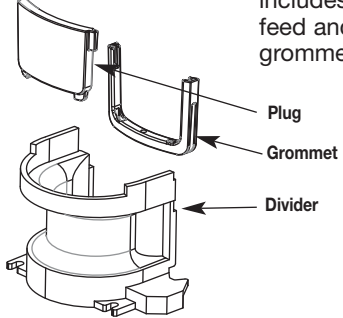
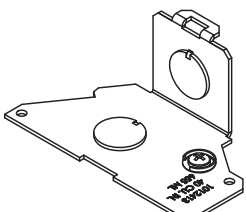
FEATURES & BENEFITS

- **Box can be installed into both raised and wood floor applications.** The advantage of this is that it will be easier to order and purchase and the stock will work for everyone.
- **Quicker and easier installation.** The 6FF-AFB Furniture Feed Floor Box fits into a standard 6" [152mm] diameter hole. The round shape makes install easier and quicker, increasing productivity and reducing jobsite cost.
- **Suitable for use in air handling areas.** In accordance with Sec. 300-22(C) of the National Electrical Code.
- **Multiple size knockouts.** Evolution Series Furniture Feed Floor Boxes are available with multiple trade size knockouts ranging in size from 1/2 " to 1 1/2" allowing for multiple activations and wiring configurations.
- **Large capacity side entrance.** With 3in² [1935mm²] there is plenty of capacity for a large bundle of communication cables or preterminated A/V cables.
- **Durable construction cap.** Protects the box during installation and construction phase.
- **Dual service capacity.** Equipped with a removable divider to separate services allowing for maximum flexibility.
- **Accepts Round Evolution Furniture Feed poke-thru covers.** Durable covers provide consistent look throughout the building.
- **TopGuard Protected.** An integral design which keeps out water, dirt, and debris from the power or communication compartment. Whenever you see the TopGuard protection icon applied to any Wiremold product you will know that the product meets and exceeds the UL scrub water exclusion requirement.
- **UL listed.** Listed to U.S. and Canadian safety standards for tile, terrazzo, and the UL requirements under UL514A and UL514C for scrub water exclusion test for carpet and wood floors.

Evolution Series Furniture Feed Floor Box Ordering Information

Catalog No./Item	Description/Specifications
6FF-AFB 	Round Furniture Feed Floor Box – Die-cast aluminum body with stamped steel knockout plates. Box includes two (2) 3/4" trade size knockouts, one (1) 1 1/2" trade size knockout, a removable side feed plate, a divider, and a durable construction cap.



Catalog No./Item	Description/Specifications
6CFFTCGY 6CFFTCBK 6CFFTCBS 6CFFTCBZ 6CFFTCNK 	Furniture Feed Cover Assembly – Surface style, die-cast aluminum cover assembly, with one (1) 3/4" trade size screw plug opening, and one (1) concentric 2"-1 1/4" trade size screw plug opening. Cover assembly is available in finishes: black (BK), gray (GY), nickel (NK), brass (BS), and bronze (BZ). Includes one (1) 3/4" and one (1) 2" trade size conduit fittings and one (1) divider supplied to separate services. (Divider only required for use with 6STC Poke-Thru stem assembly.)
6TS 	Tile Shim – Used for floor coverings greater than 5/16" [7.9mm]. The 6TS will allow the top surface of the cover to be flush with the finished floor. Includes: two (2) 1/8" [3.2mm] thick shims and two (2) 1/16" [1.6mm] thick shims. Up to a total of 3/8" [9.5mm] of adjustment.
6FF-AFB-HWB 	Replacement Part – Hardware bag includes one (1) divider, one (1) side feed and one (1) side feed plug grommet.
6FFAFB-.5BP 	Accessory Knockout Plate – Stamped steel plate with 1/2" trade size knockout.



Electrical Wiring Systems
 60 Woodlawn Street
 West Hartford, CT 06110
 Phone: 1.877.BY.LEGRAND (295-3472)
www.legrand.us
 570 Applewood Crescent
 Vaughan, Ontario L4K 4B4
 Phone: 905.738.9195
www.legrand.ca



WIREMOLD® Evolution™ Series Wall Boxes

Functionality, flexibility & capacity with a sleek, clean look

The Evolution™ Series line of innovative products continues to expand with the introduction of the new Evolution Series Hinged Wall Boxes. These boxes offer a sleek, clean look that architects love along with the functionality and flexibility that engineers and contractors require. Designed for both new work and old work applications, these boxes are available in both 4- and 8-gang versions to accommodate ever-increasing power, communications, and A/V requirements. Evolution Series Hinged Wall Boxes are ideal solutions for hotels, hospitals, lecture halls, conference rooms, entertainment venues, and airports.



Evolution Series Hinged Wall Box in use in a hospital hallway.

FEATURES & BENEFITS

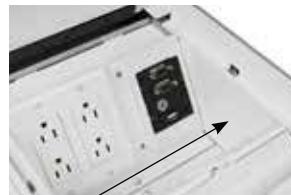
- **4- or 8-gang versions.** Evolution Series Hinged Wall Boxes are available in both 4- and 8-gang versions to provide maximum flexibility.



- **Decorative cover.** Cover opens a full 180° and is paintable to blend with room decor. Includes integrated handle, lock and keyset for security, and flush egress door for cabling.



- **Built-in Tunnel & Feed-through capability.** Allows service feeds to be fed through the box, reducing the number of feeds required to reduce installation time.



Tunnel

- **Accepts standard size wall plates.** Wall boxes are designed to accept standard size 1- to 4-gang device plates. No proprietary plates simplifies ordering and installations.



- **A/V Design.** Box has been developed with the A/V industry in mind. Accepts Legrand AVIP devices, plus A/V devices from leading A/V manufacturers.



- **Extra depth behind device plates: 3 5/8" [92mm]** of space behind device plates provides the extra depth needed for wiring larger A/V devices.



- **Multiple knockouts sizes.** Evolution Series Hinged Wall Boxes accept trade size service feeds from 3/4" up to 2". Knockout plates are removable and interchangeable, providing multiple flexibility and configurability options.



- **New work and old work applications.** Evolution Series Hinged Wall Boxes have been designed so they can be installed in both new work and old work installations. No need to order additional brackets or mounting hardware.



- **Finished interior.** Finished interior eliminates industrial look for upscale installations, while increasing visibility, making it easier to locate, wire and plug in devices.
- **Plug-in Capacity.** 4 1/4" [108mm] of space between devices allows the end user to easily plug in or remove active devices that are across from each other.

- **Removable Dividers.** Provide added configurability. Each module comes with one divider that can be removed or replaced as needed.
- **Fits standard 2" x 4" wall construction.** Both the 4- and 8-gang versions of the Evolution Series Hinged Wall Box are designed to fit into the 16" on center [406mm] opening between studs in a standard 2" x 4" [51mm x 102mm] wall.
- **Datacom connectivity options.** Accepts industry standard and proprietary devices from a wide range of manufacturers to provide a seamless and aesthetically pleasing interface for voice, data and video applications at the point-of-use. A wide selection of data and adapter options are available for use with Ortronics® TracJack and Series II devices.



- **UL Listed to U.S. and Canadian safety standards.**



EHWB4 Wall Box with EHWBC4-WH Cover shown closed and open

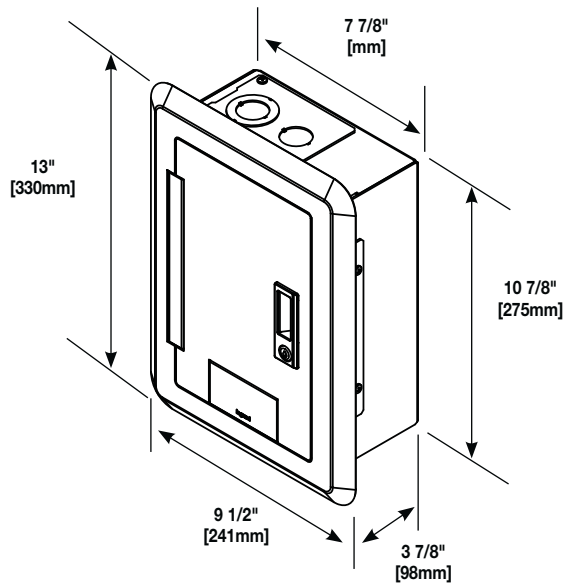


EHWB8 Wall Box with EHWBC8-WH Cover shown closed and open

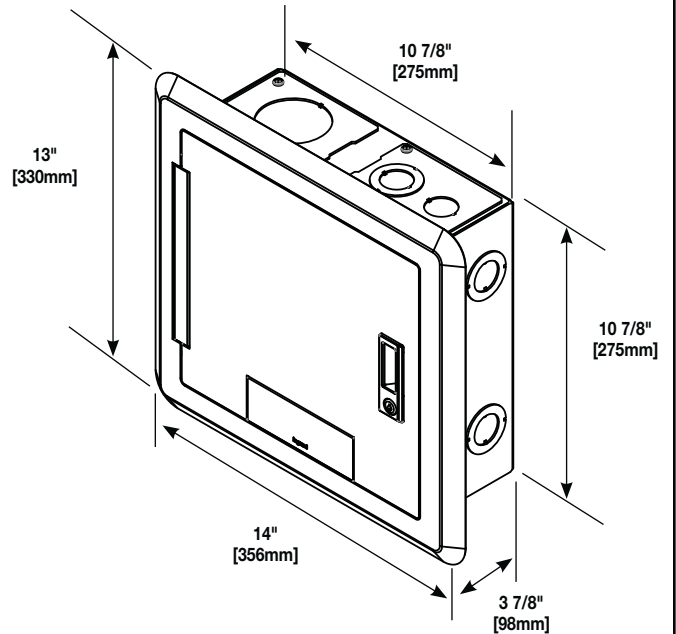


Evolution Series Hinged Wall Boxes – EHWB4 and EHWB8

EHWB4 with cover



EHWB8 with cover



**NOTE: Images for dimension reference only.
Boxes and Covers are sold separately.**

Evolution Series Wall Box Model Selection Guide

WALL BOX MODEL	EHWB4	EHWB8
INSTALL TYPE New Work Old Work	YES YES	
BOX CAPACITY	4-Gangs	8-Gangs
DEPTH BEHIND PLATES	3 5/8" [92mm]	
DEVICE PLATE SIZE	Uses standard size device plates: One-gang: (2 3/4" x 4 1/2") [70mm x 114mm] Two-gang: (4 9/16" x 4 1/2") [115mm x 114mm] Three-Gang: (6 3/8" x 4 1/2") [162mm x 114mm] Four-Gang: (8 1/8" x 4 1/2") [206mm x 114mm]	
COVER COLORS	White and Black	
COMPARTMENT VOLUMES	43 cubic inches [705ml]	43 cubic inches [705ml]
KO SIZE RANGE (Trade Size)	3/4" to 2"	
TUNNELS	NO	YES
COUNTRY OF ORIGIN	USA	
NOTES	Trim flange and decorative cover are paintable	

Evolution Series Hinged Wall Box EHWB4 Ordering Information

Catalog No./Item

EHWB4-WH
EHWB4-BK

Description/Specifications

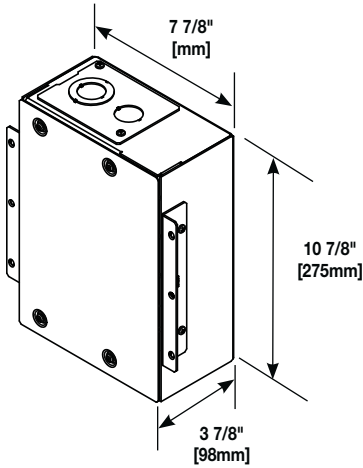
4-Gang Wall Box – Designed to fit into the 16" on center [406mm] opening between studs in a standard 2"x 4" [51mm x 102mm] wall. For both new work and old work applications. The box has 4-gang standard NEMA size openings and is designed to accommodate power, communications, and A/V devices. The box has been designed with a cable pass-through capability, allowing multiple service access points to be daisy chained together, eliminating the need for multiple conduit runs. Box includes temporary cover. Finished cover assembly (EHWB4C) sold separately.

Components Included:

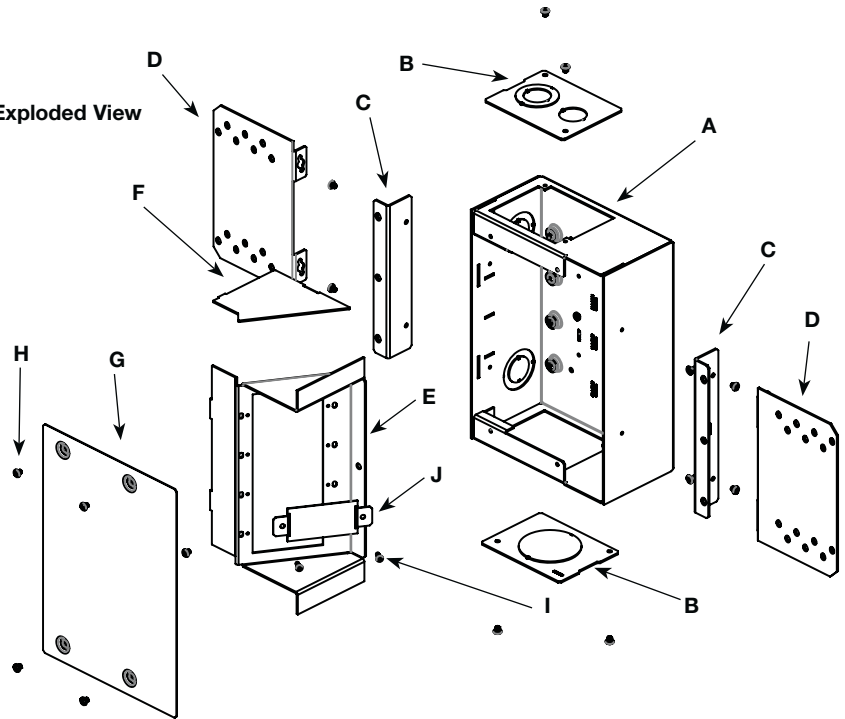
- A Enclosure Base
- B Knockout Plates
- C Old Work Mounting Brackets (2)
- D New Work Mounting Brackets (2)
- E Device Bracket
- F Removable Divider – EHWB-DIV
- G Temporary Cover
- H #8-32 Screws (14)
- I #6-32 Screws (2)
- J Filler Plates (2)

Items not included with the box and sold separately:

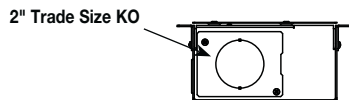
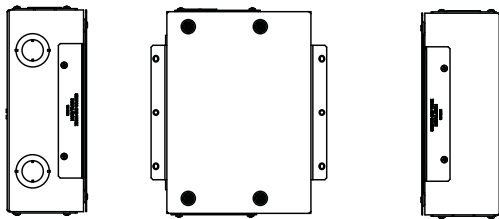
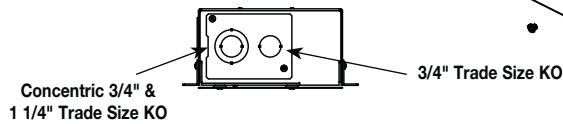
- Receptacles
- Communication Jacks
- A/V Devices
- Device plates
- Cover Assembly (EHWB4C)



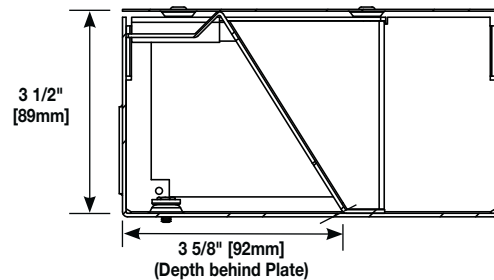
EHWB4 Exploded View



Knockout Locations



Device Module

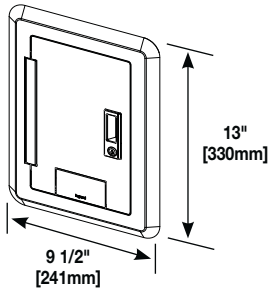


Evolution Series Hinged Wall Box Covers Ordering Information

Catalog No./Item

Description/Specifications

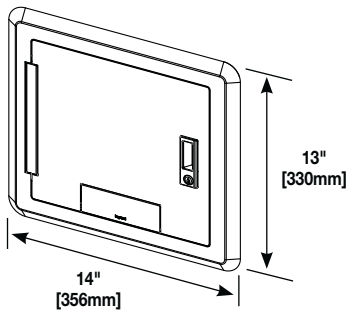
EHWBC4-WH
EHWBC4-BK



4-Gang Wall Box Cover – Decorative wall box cover designed to fit onto the 4-gang hinged wall box (EHWB4). Cover comes complete with a hinge that allows the cover to open a full 180 degrees, an integrated handle with lock and key set, and an egress door that allows the cables to exit the box flush against the wall. The cover is offered in two powder-coated finishes white: EHWBC4-WH or black EHWBC4-BK.

NOTE: Covers are not included with Evolution Series Hinged Wall Boxes (temporary protective cover is included) and must be ordered separately.

EHWBC8-WH
EHWBC8-BK



8-Gang Wall Box Cover – Decorative wall box cover designed to fit onto the 8-gang hinged wall box (EHWB8). Cover comes complete with a hinge that allows the cover to open a full 180 degrees, an integrated handle with lock and key set, and an egress door that allows the cables to exit the box flush against the wall. The cover is offered in two powder-coated finishes white: EHWBC8-WH or black EHWBC8-BK.

NOTE: Covers are not included with Evolution Series Hinged Wall Boxes (temporary protective cover is included) and must be ordered separately.



Evolution Series Hinged Wall Box in use in a lecture hall.

TV2MW

New Work Recessed TV Frame & Box Mounting Bracket for Steel or Wood Studs

The TV2MW New Work Boxes are aimed at new commercial construction projects. The two-gang boxes are constructed from factory-assembled steel and contain an integral 35 cubic inch electrical box. They come with an adjustable trim ring that is suitable for various thicknesses of wall board. There is no field assembly required. The boxes are designed to provide a snug-to-wall placement for new-work applications in the hospitality, education, commercial, and residential environments. They are ideal for flat-screen TVs and reducing the clutter associated with a variety of cabling. Plugs and multimedia connections are conveniently recessed behind the wall surface.



FEATURES & BENEFITS

Supports one line voltage device and up to 6 low-voltage connectors or pass-thru brush.

35 cubic inch integral metal box with concentric 1/2" & 3/4" knockouts that accept MC, AC, Romex, or conduit.

Low voltage side has 1 1/4" knockouts.

Fits in standard 2 x 4 or 2 x 6 construction.

Polycarbonate trim ring cover.



TV2MW

All-steel Construction with powder-coat paint finish.

Adjustable for 1/2" to 1 1/4" wall board.

cULus Listed.

Ratings are a permanent part of the device.

Tri-drive green ground screw with green chromate.

Side mount or face mount works on either side of steel studs.

FIELD USES / VERTICAL MARKETS

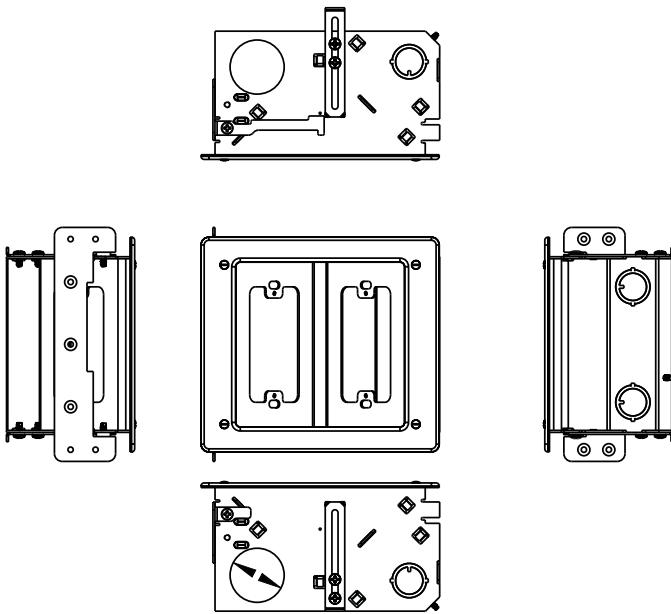
- Single Family Home
- Multiple Dwelling
- Retail/Office
- Education
- Hospitality



PASS & SEYMOUR® Recessed TV Boxes New Work

TECHNICAL INFORMATION

Catalog Number	Description	Cubic Inches	Length.	Width	Height	Wire Fill
New Work TV Recessed Box & Frame						
TV2MW	New Work Metal Television Box 2 Gang	35	6.9	7.6	3.5	17 No. 4 15 No. 12 14 No. 10



Back side view of TV2MW

ALSO AVAILABLE...

- Hospital Grade Devices
- PlugTail™ Devices
- SPD & Isolated Ground Devices
- Ground Continuity Monitoring (GCM)
- Straight Blade Plugs & Connectors
- Turnlok® Locking Devices
- Weatherproof Boxes & Covers
- IEC 309 Industrial Products
- Flexcor® Wire Mesh Grips



Electrical Wiring Systems

P.O. Box 4822
Syracuse, NY 13221-4822
Phone: 1.800.776.4035
www.legrand.us/passandseymour

570 Applewood Crescent
Vaughan, Ontario L4K 4B4
Phone: 905.738.9195
www.legrand.ca

